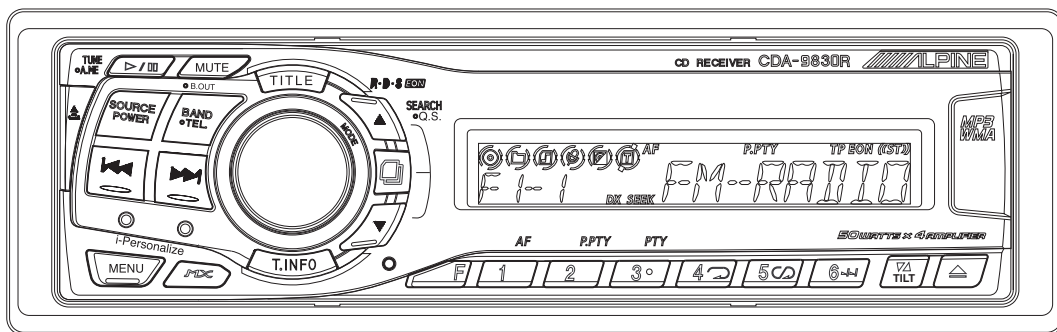


ALPINE SERVICE MANUAL

FM/MW/LW/RDS CD Receiver

MP3



3 / 04-A
68E36334S01



CDA-9830R

<Cautions for Safe Repair Work>



The following cautions will prevent accidents in the workplace and will ensure safe products.

*The symbols indicate caution is needed to prevent injuries and damage to property.



The symbols and their meanings follow.

| | |
|--|--|
|  Warning | If you ignore this symbol and handle the product incorrectly or unsafely, serious injury or death may result. |
|  Caution | If you ignore this symbol and handle the product incorrectly or unsafely, injury or only material damage may result. |



*The following symbols indicate two levels of cautions.



| |
|--|
|  When you see this symbol, you have to be very careful. |
|  When you see this symbol, you have to follow the instructions there. |



Warning

| | |
|--|--|
|  Do not look squarely into the laser light coming from the pickup. You may lose your sight. |  Fuse Caution Always use a designated fuse. Use of an incorrect fuse may result in a fire. |
|--|--|

Caution

| | |
|---|---|
|  Do not allow wiring to be caught in the screw/chassis. If wiring is caught in the screw/chassis, it may cause a short circuit, resulting in a fire. |  Battery Caution Use the designated battery. Confirm the correct polarity and seat of the battery. An incorrect battery or an improperly connected or seated battery may result in a fire. |
|---|---|

| | |
|---|---|
|  High Temperature Caution Touching the heat sink may cause severe burns. |  Designated Parts Caution Look up the part list and ensure that only designated parts are used to prevent problems or accidents. |
|---|---|

| | |
|---|---|
|  Reverse Power Supply Connections or Misconnections Caution Reverse power supply connections or misconnections may cause ignition problems and smoke may result. |  Wiring Caution Ensure that the wiring is correct when rewiring to prevent problems with ignition/breakdown. |
|---|---|

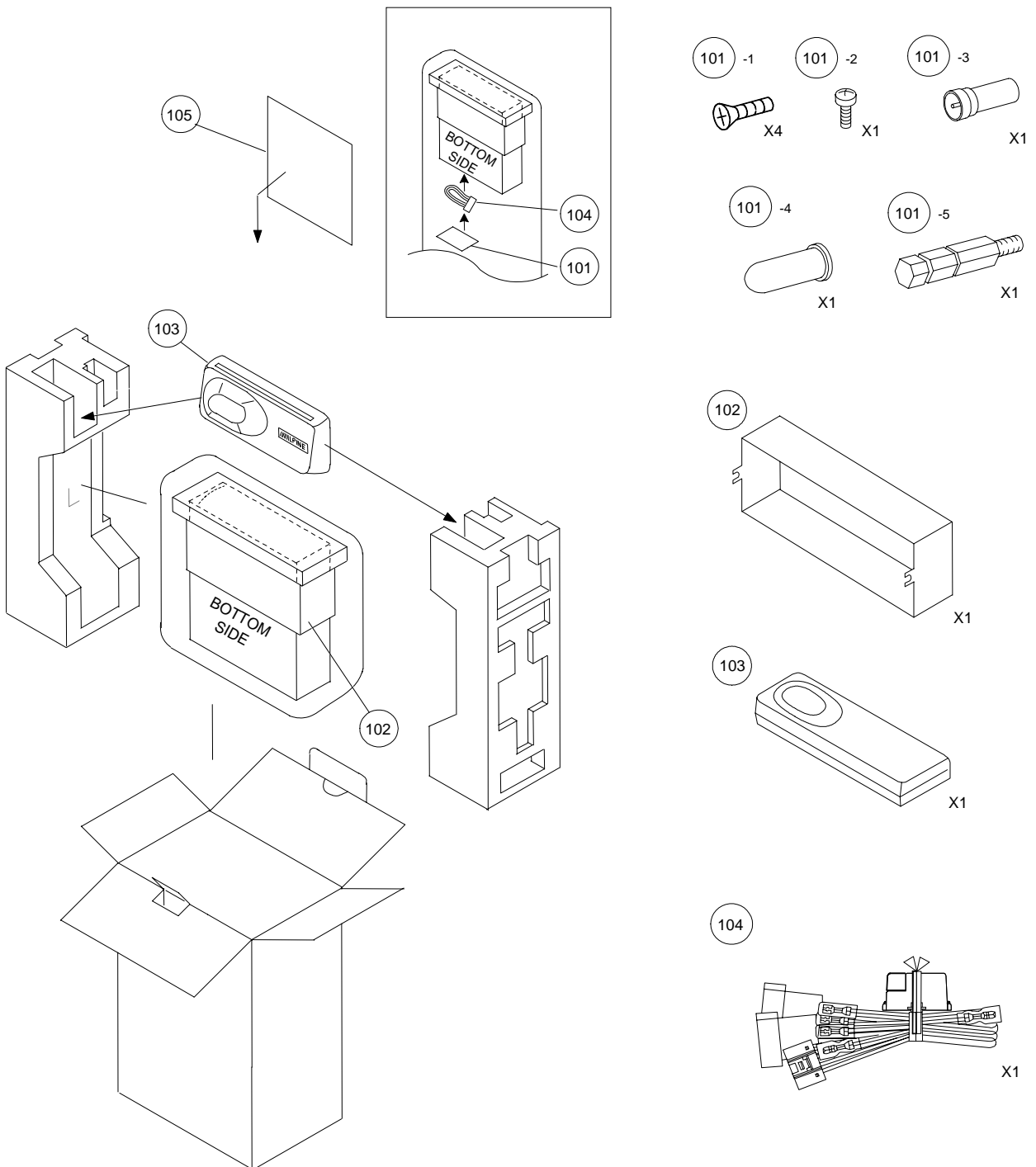
| | |
|---|--|
|  Soldering Caution Hot solder from solder splash may cause severe burns. |  Wear Gloves Wear gloves to prevent electrical shocks or injury from the end face of the metal. |
|---|--|

Packing Assembly Parts List

| Symbol No. | Part No. | Description |
|------------|-------------|------------------------|
| 101-1 | 03S60820Y16 | SCR.MCH 5X8 ZN A |
| 101-2 | 03S60824Y01 | SCR.WEV 1.7X4 ZN A |
| 101-3 | 01T04296K01 | ISO/JASO ANT A ADAPTER |
| 101-4 | 36A02449K01 | CAP,RUBBER(A) |
| 101-5 | 03A60836Y01 | SCR.CUS 5X7 ZN A |

| Symbol No. | Part No. | Description |
|------------|-------------|----------------------|
| 102 | 15D00529K02 | CASE,INNER |
| 103 | 15D01798K03 | CARRYING,CASE |
| 104 | 01T75411Y02 | ASSY,WIRE-ISO-M9830R |
| 105 | 68P04190K04 | O/M AOEU AODN |

Packing Method View



Specifications

<FM RADIO>

| | |
|---|----------------------------------|
| Intermediate Frequency | 10.7±0.1MHz |
| Frequency Range | 87.5 to 108.0MHz |
| Usable Sensitivity (30 S/N, Mono, at 98.1MHz) | 20.2dBf |
| -3dB Limiting Sensitivity (at 98.1MHz) | 23.2dBf |
| Residual Noise (Ref. 400Hz, at 98.1MHz) | 28±10dB |
| S/N Ratio (at 98.1MHz) | Stereo : 55dB Mono : 58dB |
| Image Rejection (at 106.1MHz) | 40dB |
| IF Rejection (at 90.1MHz) | 60dB |
| Distortion (Input 60dBu, at 98.1MHz) | 1.0% |
| Frequency Response (Ref. 400Hz, at 98.1MHz) | 100Hz : 0±3dB 10kHz : -10±3dB |
| Stereo Separation (1kHz, at 98.1MHz) | 20dB |
| PS Sensitivity (at 98.1MHz) | 36.2dBf |

<MW RADIO>

| | |
|--|---------------------------------------|
| Intermediate Frequency | 1st : 10.7MHz 2nd : 450kHz |
| Frequency Range | 531 to 1,602kHz |
| Usable Sensitivity (20dB S/N, at 999kHz) | 36dB |
| S/N Ratio (at 999kHz) | 44dB |
| Image Rejection (at 1,404kHz) | 50dB |
| IF Rejection (at 603kHz) | 60dB |
| Distortion (at 999kHz) | 1.5% |
| Frequency Response (Ref. 400Hz, at 999kHz) | 100Hz : -3±4dB 2.5kHz : -3+4, -6dB |

<LW RADIO>

| | |
|--|---------------------------------------|
| Intermediate Frequency | 1st : 10.7MHz 2nd : 450kHz |
| Frequency Range | 153 to 281kHz |
| Usable Sensitivity (20dB S/N, at 216kHz) | 42dB |
| S/N Ratio (at 216kHz) | 44dB |
| Image Rejection (at 270kHz) | 50dB |
| IF Rejection (at 162kHz) | 60dB |
| Distortion (at 216kHz) | 1.5% |
| Frequency Response (Ref. 400Hz, at 216kHz) | 100Hz : -3±4dB 2.5kHz : -3+4, -6dB |

<CD SECTION>

| | |
|------------------------------|---|
| System | Optical (Compact Disc System) |
| Channel Balance (1kHz) | CD : TCD-782 : 0±3dB MP3 : SCD-5100 (FOLDER4-128kbps) : 0±3dB WMA : SCD-5100 (FOLDER10-128kbps) : 0±3dB |

CDA-9830R

Distortion (1kHz) CD : TCD-782 : 0.1%
MP3 : SCD-5100 (FOLDER4-128kbps) : 0.1%
WMA : SCD-5100 (FOLDER10-128kbps) : 0.1%

Frequency Response (Ref. 1kHz) CD : TCD-782 : 17Hz : 0±3dB
127Hz : 0±2dB
10.007kHz : 0±2dB
19.997kHz : -2±4dB
MP3 : SCD-5100 (FOLDER4-128kbps) : 17Hz : 0±3dB
127Hz : 0±2dB
10.007kHz : 0±2dB
19.997kHz : -2±4dB
WMA : SCD-5100 (FOLDER10-128kbps) : 17Hz : 0±3dB
127Hz : 0±2dB
10.007kHz : 0±2dB
19.997kHz : -2±4dB

S/N Ratio CD : TCD-782 : 95dB
MP3 : SCD-5100 (FOLDER4-128kbps) : 95dB
WMA : SCD-5100 (FOLDER10-128kbps) : 95dB

Separation CD : TCD-782 : 65dB
MP3 : SCD-5100 (FOLDER4-128kbps) : 65dB
WMA : SCD-5100 (FOLDER10-128kbps) : 65dB

De-Emphasis (Ref. 1kHz) CD : TCD-782 : 4kHz : -20±3dB
16kHz : -20±3dB

<Pickup>

Wave Length 795nm
Laser Power CLASS I

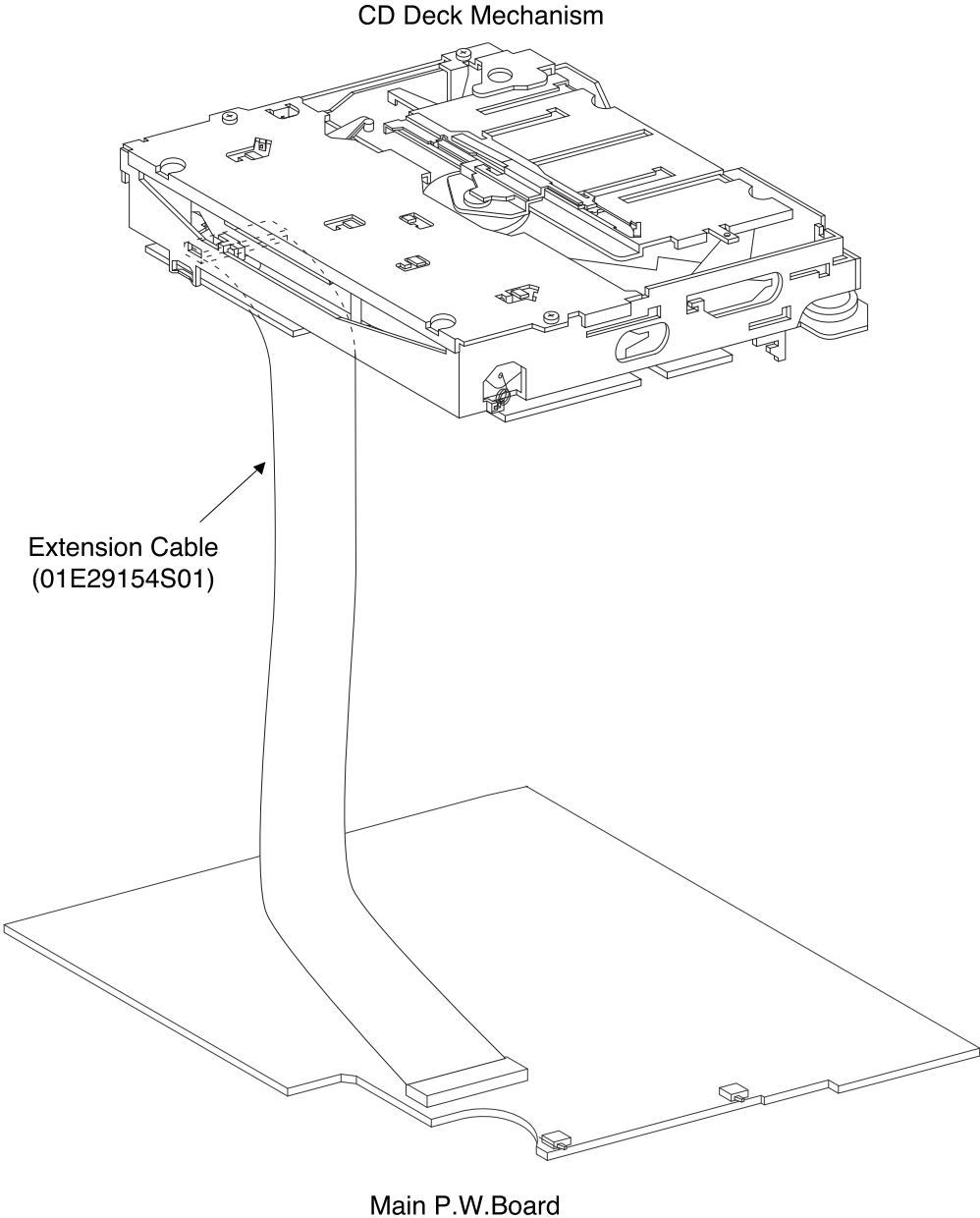
<GENERAL>

Power Supply DC14.4V
Power Output (Ref. TCD-782(1KHz, 0dB), T.H.D. 10%) /Impedance 25W/ch/4ohm
Pre Output (Ref. TCD-782(1KHz, 0dB), T.H.D. 1%) /Impedance 4V±2.5dBV/ch/10kohm
Dimensions (W x H x D) Chassis : 178 x 50 x 160mm
Nose : 188 x 58 x 24mm
Weight 1.6kg

NOTE : Due to Continuing product improvement, specifications and designs are subject to change without notice.

Extension Cable

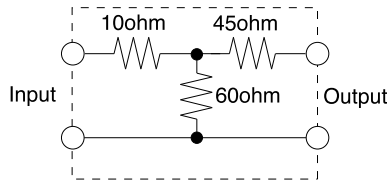
* When repairing or measuring the voltage of this unit, connect with the Extension Cable as shown in below.



Adjustment Procedures

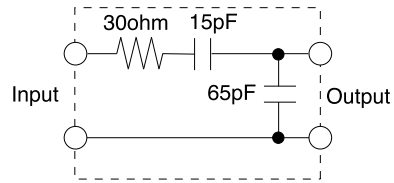
1. FM/MW/LW SECTION

(1) Dummy Antenna Circuit



For 50 ohm FM Signal Generator

Figure 1



For 50 ohm MW/LW Signal Generator

Figure 2

(2) Connections

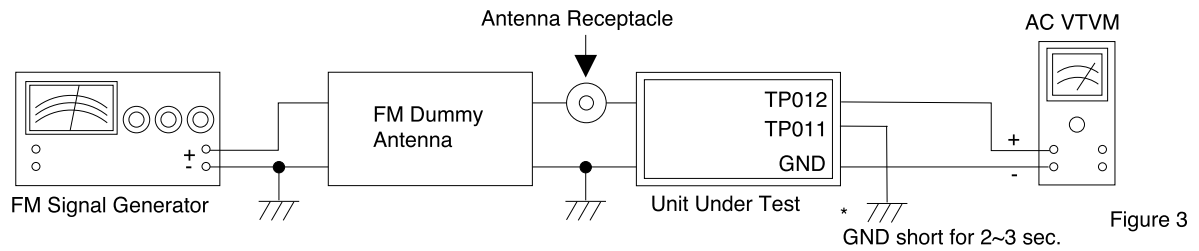


Figure 3

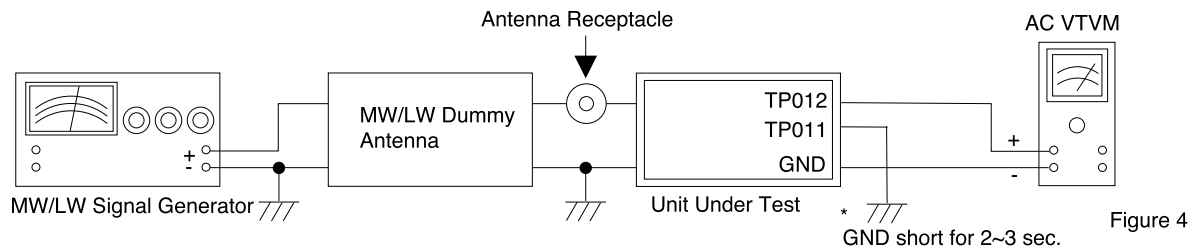


Figure 4

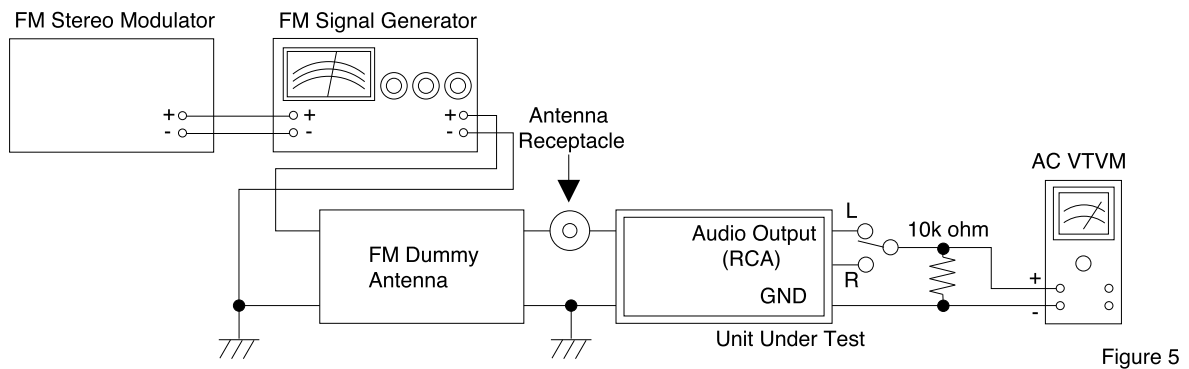


Figure 5

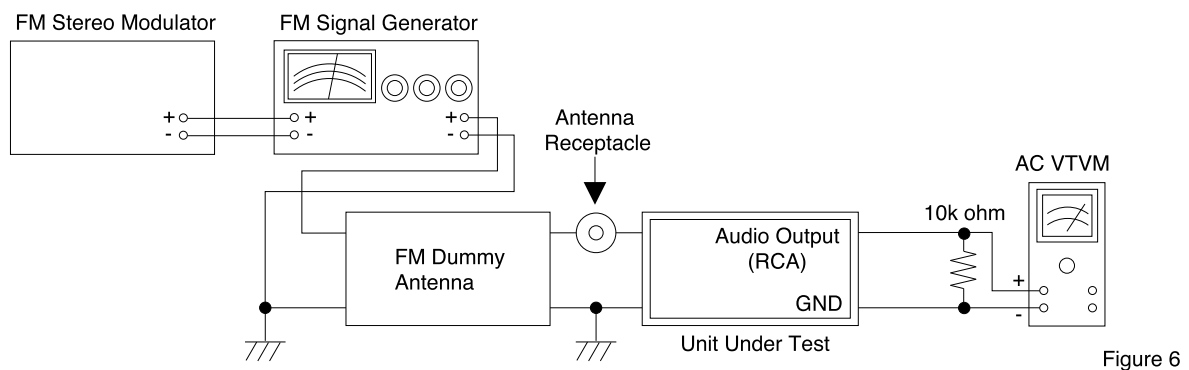


Figure 6

(3) Control Settings

| | | | |
|-----------------|-----------------------|-------------|------------------|
| Power Switch | ON | Band Switch | FM/MW/LW |
| Fader Control | Center Position | T-CORR | Non Effect |
| Balance Control | Center Position | EQ | FLAT |
| Treble Control | Center Position | DEMO | OFF |
| Bass Control | Center Position | Others | OFF |
| MX | Non Effect | | |

(4) Adjustment Procedures

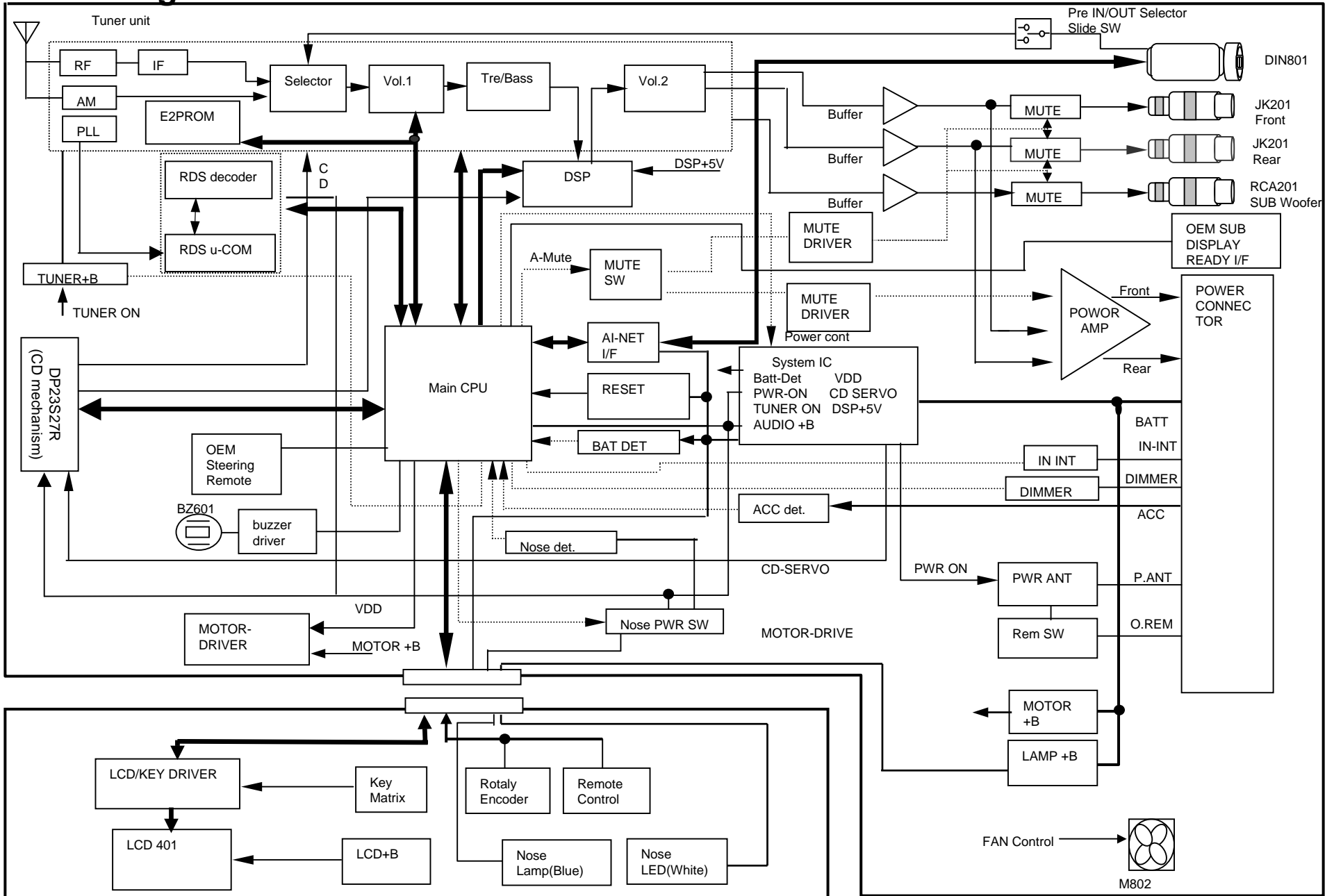
| Step | Description | Connection | Signal Generator | Dial Control | Test Point / P.W.Board Coordinates | Adjustment |
|------|-----------------------------------|------------|-----------------------------------|--------------|------------------------------------|---|
| 1 | Signal Meter Auto Adjustment (FM) | Figure 3 | (1) 87.5MHz , 26dBμ (Mod. OFF) | 87.5MHz | TP012 (3-F) TP011 (3-F) | Auto Adjustment : After setting up of Signal Generator , short GND and TP011 (Pull-Down) for 2~3 seconds |
| | | | (2) 87.5MHz , 26dBμ (Mod. OFF) | 87.5MHz | TP012 (3-F) TP011 (3-F) | Proceed same Auto Adjustment of step (1) under step (2) (SPEC) TP012 : 1.5±0.1V → OK (SPEC) TP012 : others 1.5±0.1V → NG NOTE : NG : Proceed same Auto Adjustment of step (1) under step (3) |
| | | | (3) 87.5MHz , 21~23dBμ (Mod. OFF) | 87.5MHz | TP012 (3-F) TP011 (3-F) | Proceed same Auto Adjustment of step (1) under step (3) |
| | | | (4) 87.5MHz , 26dBμ (Mod. OFF) | 87.5MHz | TP012 (3-F) TP011 (3-F) | Proceed same Auto Adjustment of step (1) under step (4) |
| 2 | Signal Meter Auto Adjustment (MW) | Figure 4 | (1) 999kHz , 34dBμ (Mod. OFF) | 999kHz | TP012 (3-F) TP011 (3-F) | Auto Adjustment : After setting up of Signal Generator , short GND and TP011 (Pull-Down) for 2~3 seconds |
| | | | (2) 999kHz , 34dBμ (Mod. OFF) | 999kHz | TP012 (3-F) TP011 (3-F) | Proceed same Auto Adjustment of step (1) under step (2) (SPEC) TP012 : 1.0±0.1V → OK (SPEC) TP012 : others 1.0±0.1V → NG NOTE : NG : Proceed same Auto Adjustment of step (1) under step (3) |
| | | | (3) 999kHz , 29~31dBμ (Mod. OFF) | 999kHz | TP012 (3-F) TP011 (3-F) | Proceed same Auto Adjustment of step (1) under step (3) |
| | | | (4) 999kHz , 34dBμ (Mod. OFF) | 999kHz | TP012 (3-F) TP011 (3-F) | Proceed same Auto Adjustment of step (1) under step (4) |

| Step | Description | Connection | Signal Generator | Dial Control | Test Point / P.W.Board Coordinates | Adjustment | |
|------|--|------------|------------------|--|------------------------------------|-----------------------------------|---|
| 3 | Signal Meter Auto Adjustment (LW) | Figure 4 | (1) | 216kHz , 34dB μ . (Mod. OFF). | 216kHz | TP012 (3-F) TP011. (3-F) | Auto Adjustment : After setting up of Signal Generator , short GND and TP011 (Pull-Down) . for 2~3 seconds. |
| | | | (2) | 216kHz , 34dB μ . (Mod. OFF). | 216kHz | TP012 (3-F) TP011. (3-F) | Proceed same Auto Adjustment of step . (1) under step (2). (SPEC) TP012 : 1.0 \pm 0.1V \rightarrow OK (SPEC) TP012 : others 1.0 \pm 0.1V \rightarrow NG. NOTE : NG : Proceed same Auto Adjustment of step (1) under step (3). |
| | | | (3) | 216kHz , 29~31dB μ . (Mod. OFF). | 216kHz | TP012 (3-F) TP011. (3-F) | Proceed same Auto Adjustment of step . (1) under step (3). |
| | | | (4) | 216kHz , 34dB μ . (Mod. OFF). | 216kHz | TP012 (3-F) TP011. (3-F) | Proceed same Auto Adjustment of step . (1) under step (4). |
| 4 | FM ST Separation (Roll OFF) Adjustment | Figure 5 | (1) | — | — | — | Set up of Adjustment Mode : . Push [SOURCE/POWER] + [3] at the same time. |
| | | | (2) | 98.1MHz, 72dB μ (Mod. 400Hz, Dev. 75kHz, Stereo, 1kHz, Lch only) | 98.1MHz | Audio Output (RCA) | Push Preset Switches (1~5), and observe value of separation. Select Preset Switch of maximum separation. (SPEC) : separation : more than 25dB. |
| | | | (3) | — | — | — | Cancel Adjustment Mode : Push [SOURCE/POWER] + [3] at the same time. |
| 5 | Stereo Blend Adjustment (Lch) | Figure 5 | (1) | — | — | — | Set up of Adjustment Mode : . Push [SOURCE/POWER] + [F] at the same time. |
| | | | (2) | 98.1MHz, 46dB μ (Mod. 400Hz, Dev. 75kHz, Stereo, 1kHz, Lch only) | 98.1MHz | Audio Output (RCA) | Push Preset Switches (1~6), and observe value of blend. (SPEC) : Blend : 8 \pm 6dB. |
| | | | (3) | — | — | — | Cancel Adjustment Mode : . Push [SOURCE/POWER] + [F] at the same time. |
| 6 | Limiting Adjustment | Figure 6 | (1) | — | — | — | Set up of Adjustment Mode : . Push [SOURCE/POWER] + [UP] at the same time. |
| | | | (2) | 98.1MHz, 24dB μ (Mod. 400Hz, Dev. 75kHz) | 98.1MHz | Audio Output (RCA) | Push Preset Switches (1~5), and observe value of limiting. (SPEC) : Limiting : -3dB. |
| | | | (3) | — | — | — | Cancel Adjustment Mode : . Push [SOURCE/POWER] + [UP] at the same time. |

| Step | Description | Connection | Signal Generator | Dial Control | Test Point / P.W.Board Coordinates | Adjustment | |
|------|------------------------|------------|------------------|--------------------------------------|------------------------------------|--------------------|--|
| 7 | Noise Level Adjustment | Figure 6 | (1) | — | — | — | Set up of Adjustment Mode : Push [SOURCE/POWER] + [UP] at the same time |
| | | | (2) | 98.1MHz, .72 --> -20dBμ. (Mod. OFF). | 98.1MHz | Audio Output (RCA) | Rotary encoder is turned and noise level is adjustment (SPEC) : Noise Level : 33±10dB |
| | | | (3) | — | — | — | Cancel Adjustment Mode : Push [SOURCE/POWER] + [UP] at the same time |

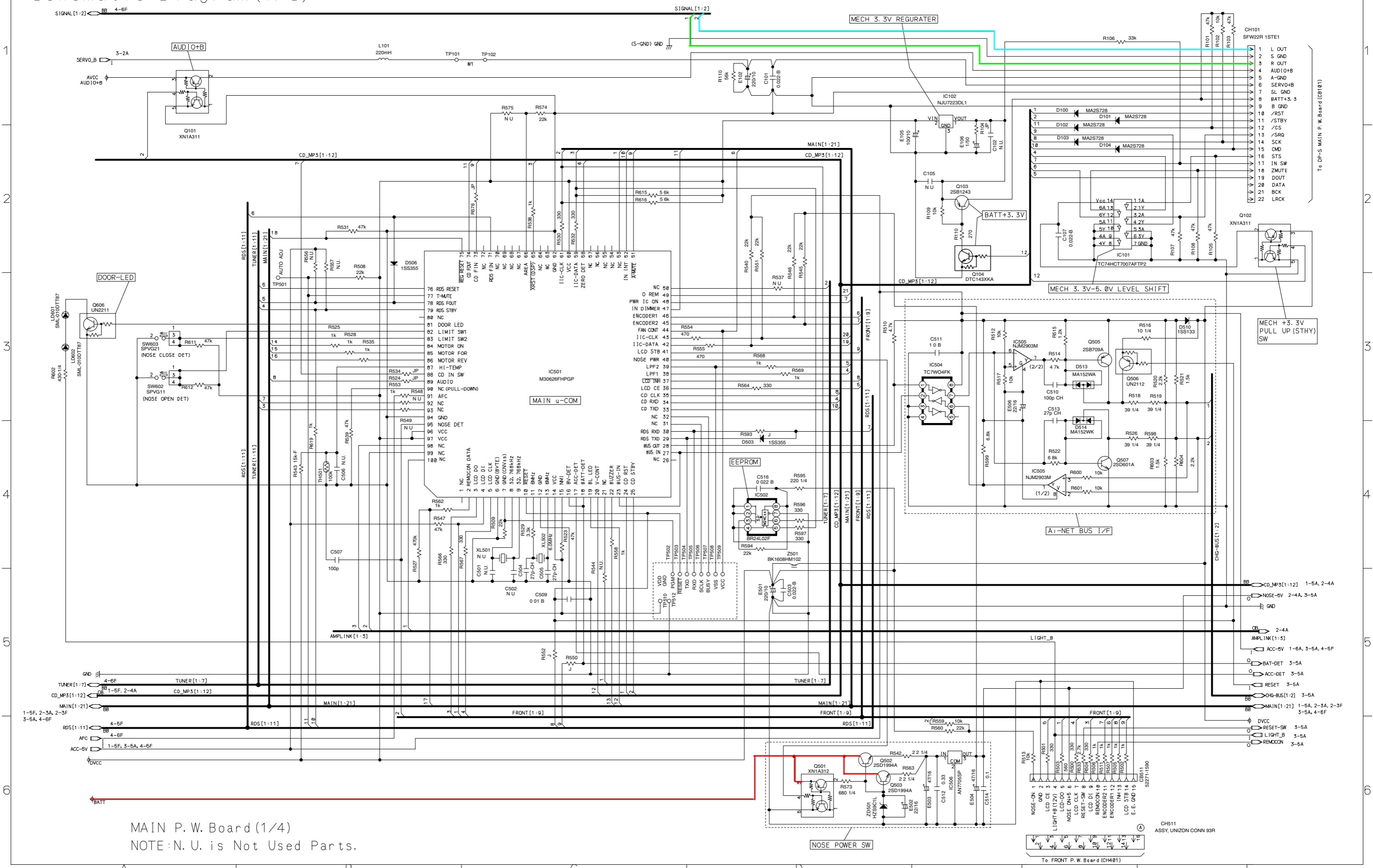
Block Diagram

CDA-9830R



Schematic Diagram (1/9)

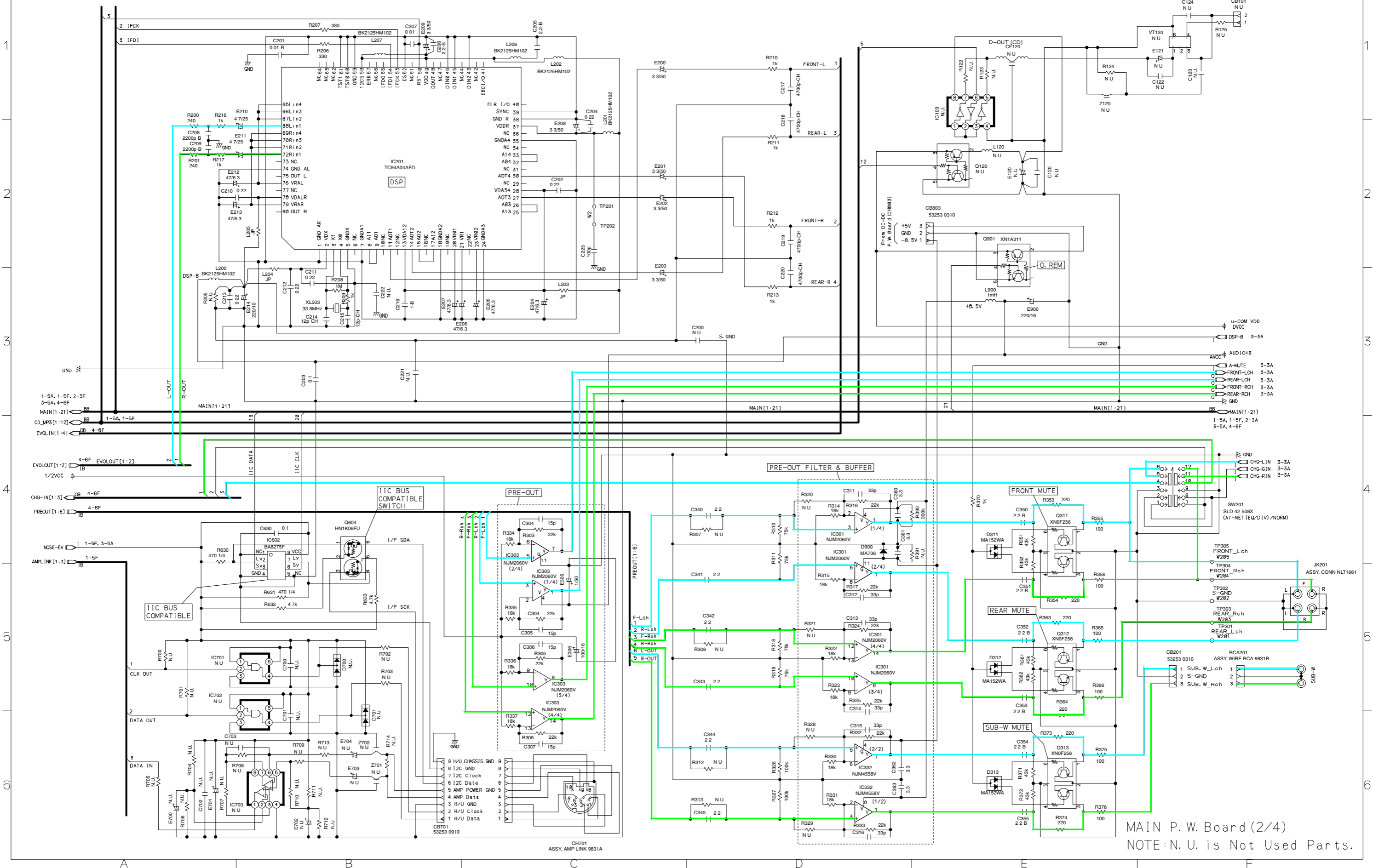
CDA-9830R



MAIN P.W. Board (1/4)
NOTE: N. U. is Not Used Parts.

Schematic Diagram (2/9)

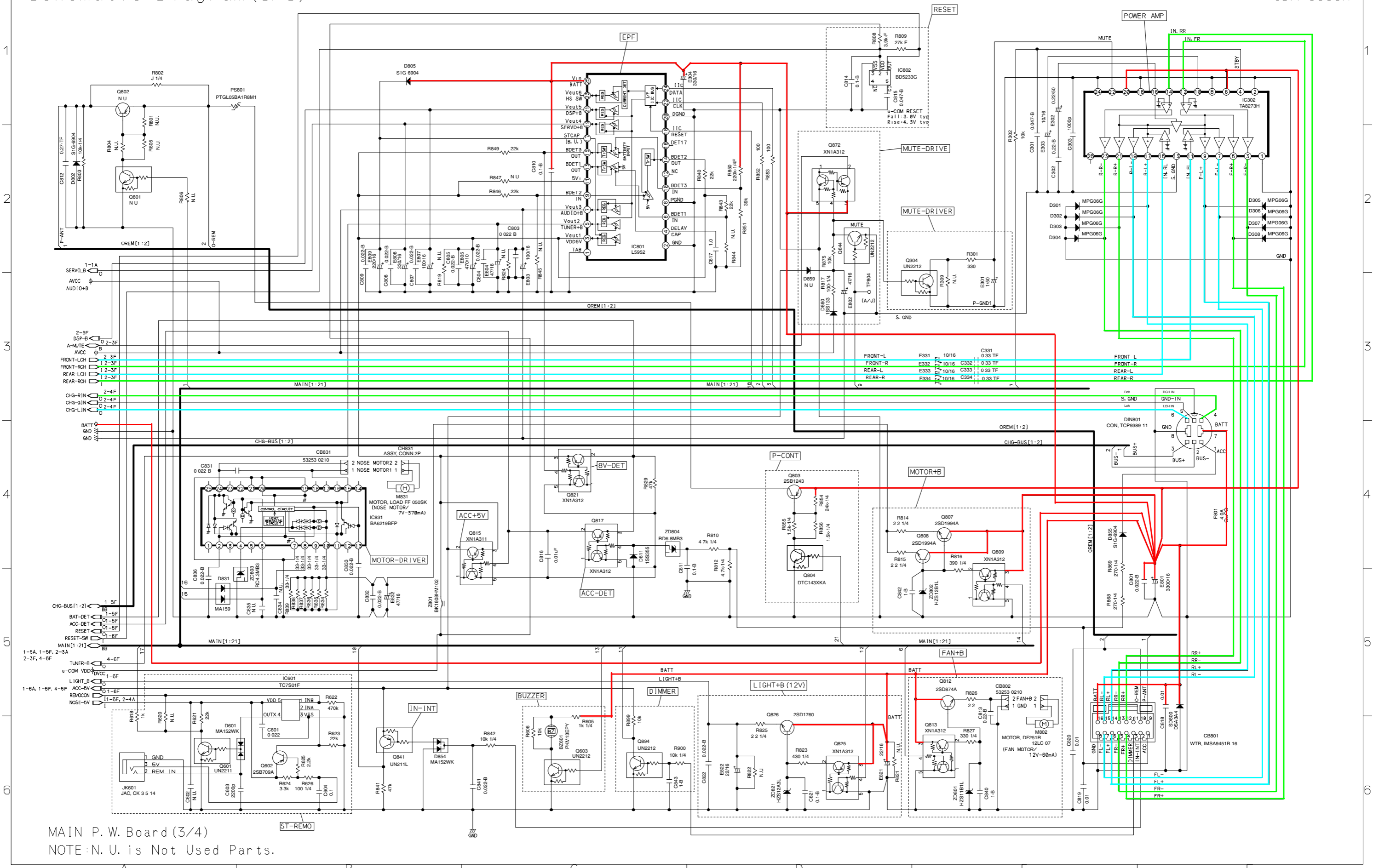
CDA-9830R



MAIN P.W. Board (2/4)
NOTE: N. U. is Not Used Parts.

Schematic Diagram (3/9)

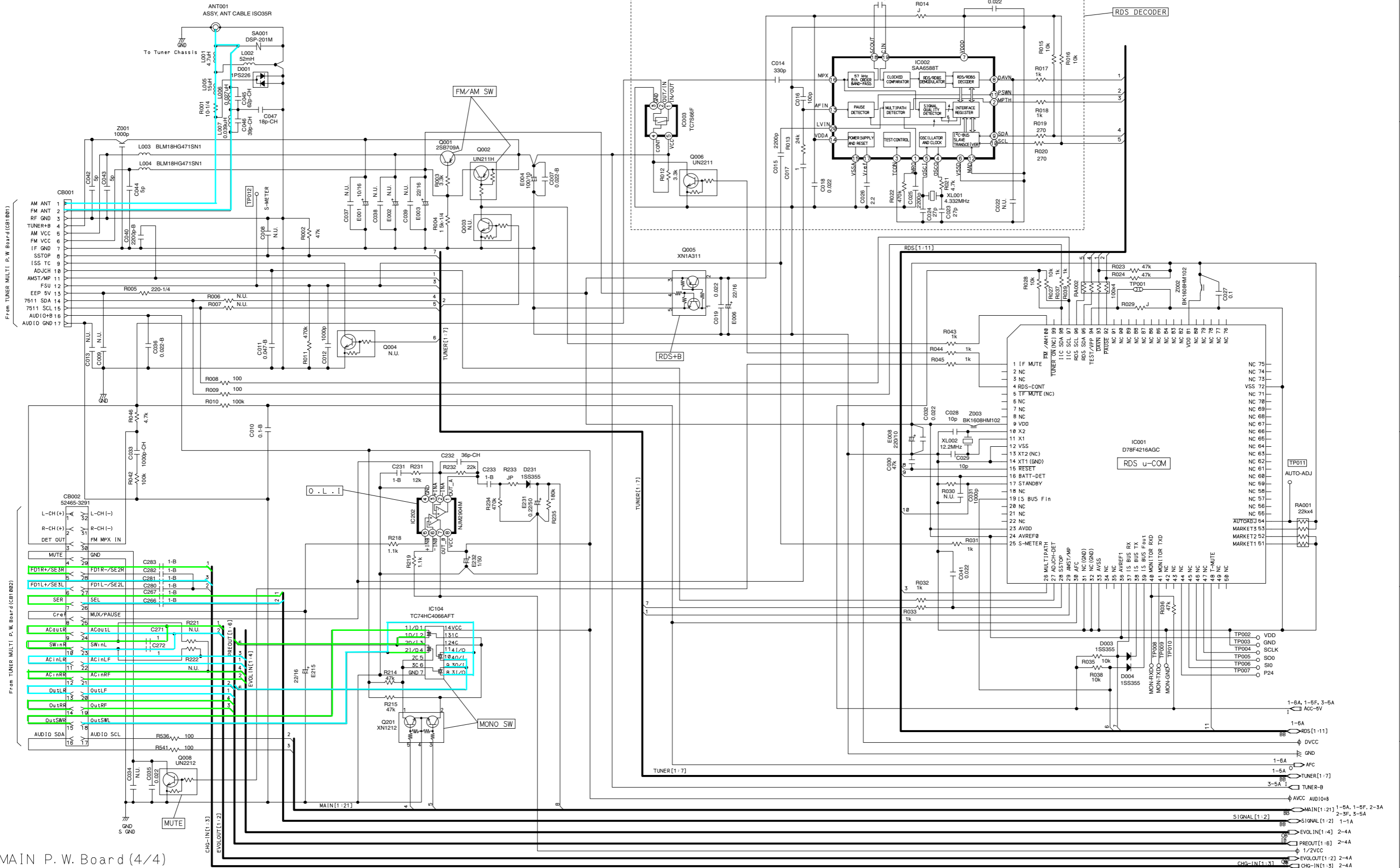
CDA-9830R



MAIN P.W. Board (3/4)
 NOTE: N. U. is Not Used Parts.

Schematic Diagram (4/9)

CDA-9830R

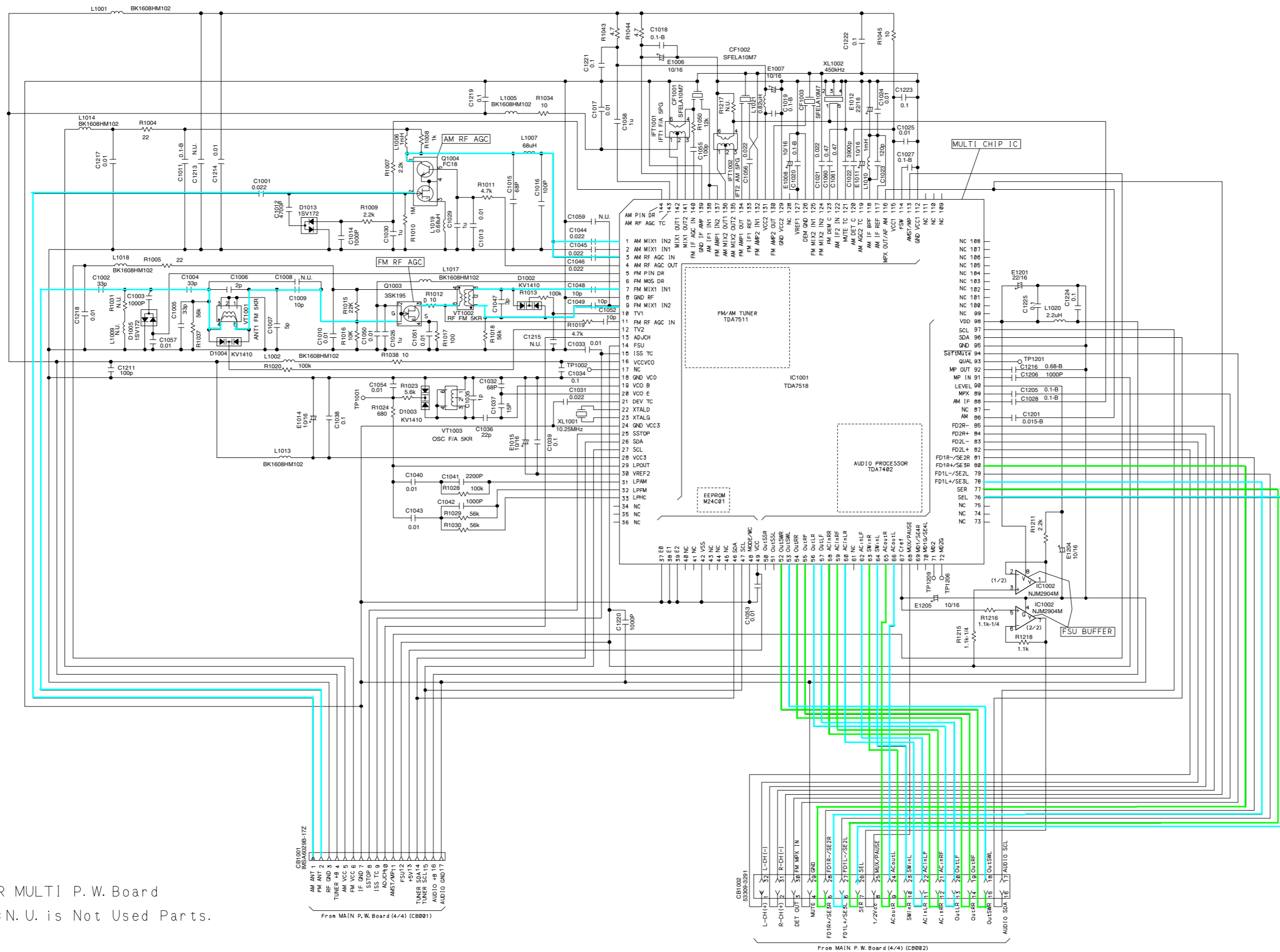


MAIN P.W. Board (4/4)

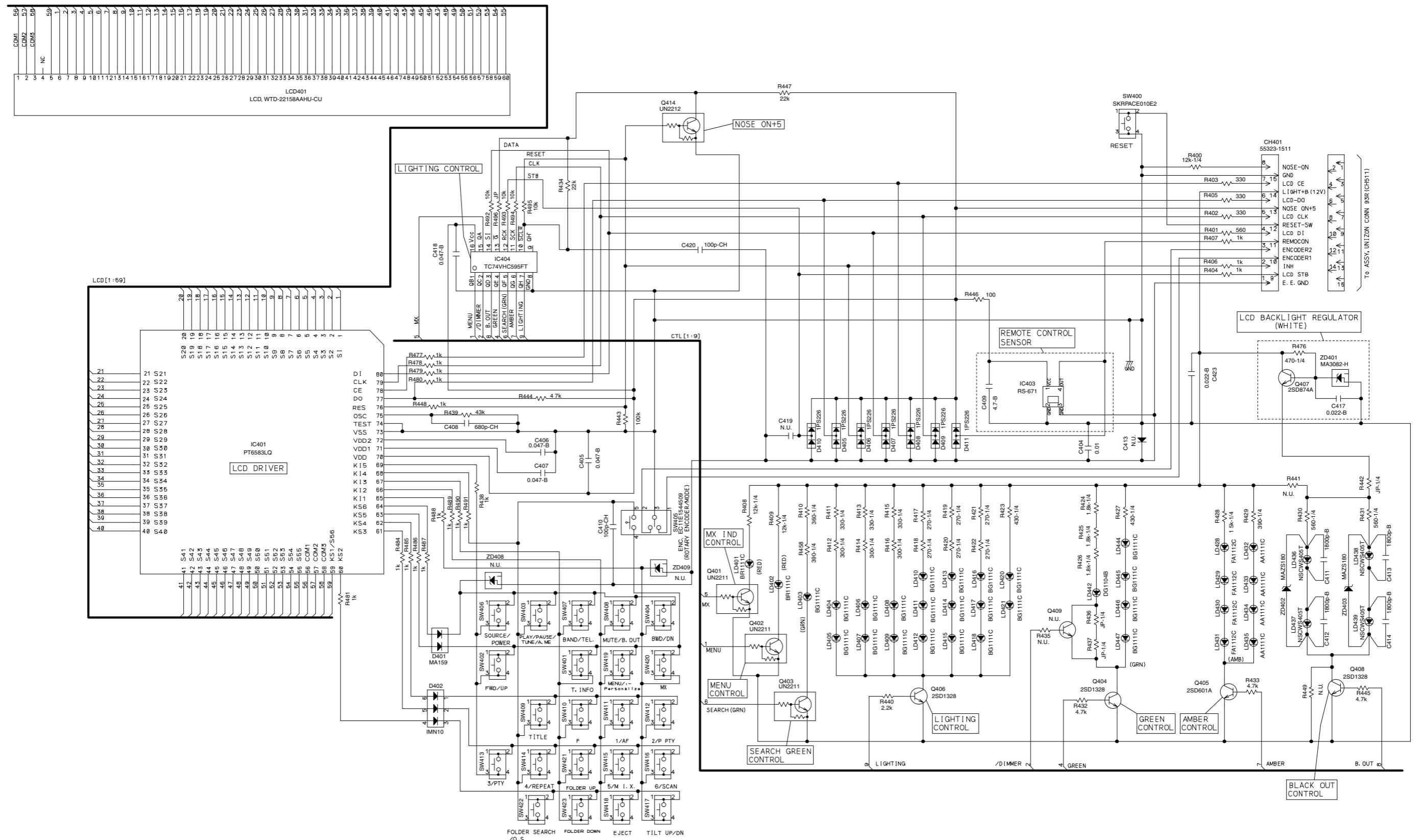
NOTE: N. U. is Not Used Parts.

Schematic Diagram (5/9)

CDA-9830R

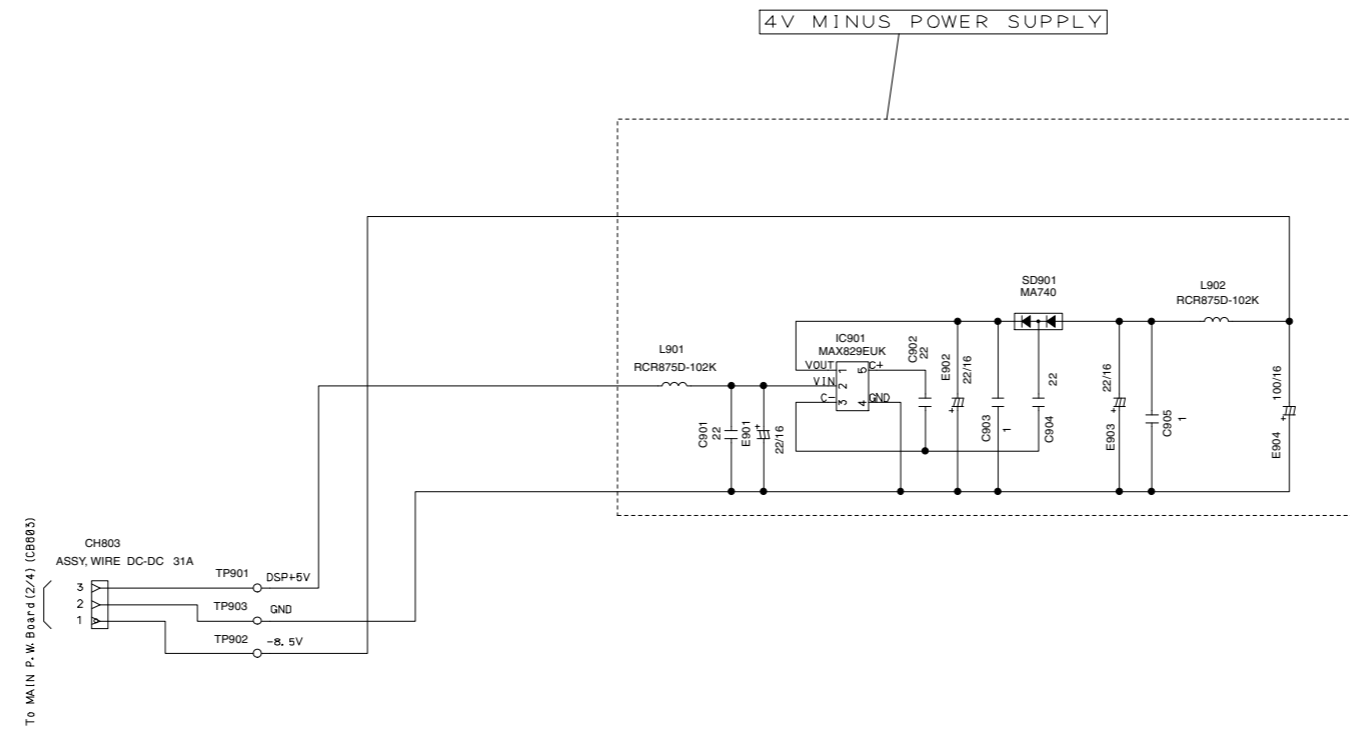


TUNER MULTI P.W. Board
NOTE: N. U. is Not Used Parts.



FRONT P.W. Board
 NOTE : N. U. is Not Used Parts.

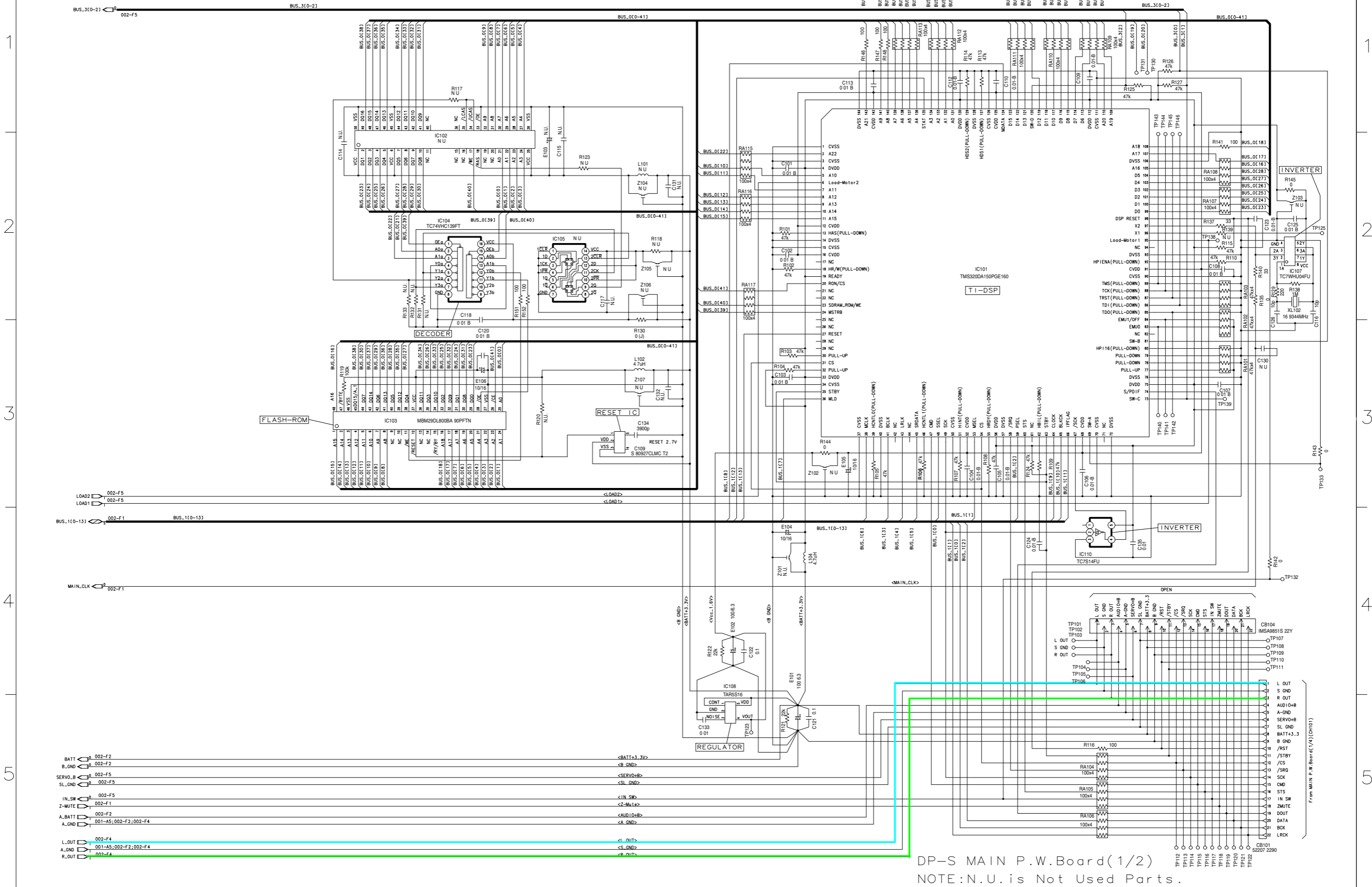
SW401-404, 406-423 : SKRSPACE010



DC-DC P. W. Board

Schematic Diagram(8/9)

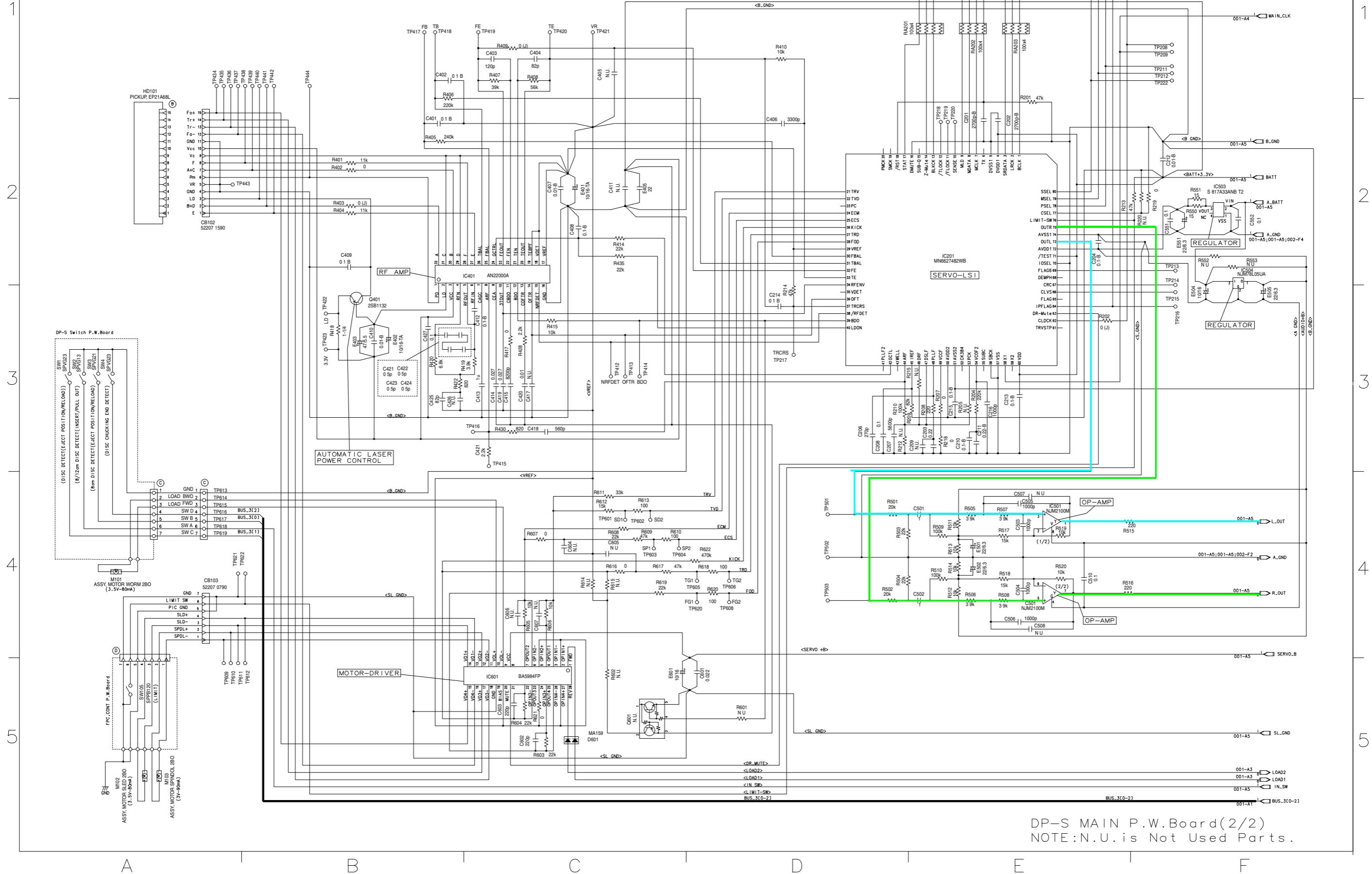
CDA-9830R



DP-S MAIN P.W. Board(1/2)
NOTE: N.U. is Not Used Parts.

Schematic Diagram(9/9)

CDA-9830R



DP-S MAIN P.W. Board(2/2)
NOTE: N.U. is Not Used Parts.

Terminal Voltage of IC/TR

| IC001 | | | | | | | | |
|-------|------|--|----|--------|---------|-----|-----------|-------|
| 1 | PS | | 35 | NC | | 69 | NC | |
| 2 | NC | | 36 | 4.91 | | 70 | NC | |
| 3 | NC | | 37 | PS | | 71 | NC | |
| 4 | 0 | | 38 | PS | | 72 | 0 | |
| 5 | NC | | 39 | PS | | 73 | NC | |
| 6 | NC | | 40 | 0 | | 74 | NC | |
| 7 | NC | | 41 | 0 | | 75 | NC | |
| 8 | NC | | 42 | NC | | 76 | NC | |
| 9 | 4.91 | | 43 | NC | | 77 | NC | |
| 10 | PS | | 44 | NC | | 78 | NC | |
| 11 | PS | | 45 | NC | | 79 | NC | |
| 12 | 0 | | 46 | NC | | 80 | NC | |
| 13 | NC | | 47 | NC | | 81 | 4.91 | |
| 14 | 0 | | 48 | 0/4.91 | TUNE/CD | 82 | NC | |
| 15 | 4.90 | | 49 | NC | | 83 | NC | |
| 16 | 4.90 | | 50 | NC | | 84 | NC | |
| 17 | 4.80 | | 51 | 0 | | 85 | NC | |
| 18 | NC | | 52 | 0 | | 86 | NC | |
| 19 | PS | | 53 | 4.90 | | 87 | NC | |
| 20 | NC | | 54 | 4.90 | | 88 | NC | |
| 21 | NC | | 55 | NC | | 89 | NC | |
| 22 | NC | | 56 | NC | | 90 | NC | |
| 23 | 4.91 | | 57 | NC | | 91 | NC | |
| 24 | 4.91 | | 58 | NC | | 92 | PS | |
| 25 | PS | | 59 | NC | | 93 | PS | |
| 26 | PS | | 60 | NC | | 94 | 0 | |
| 27 | PS | | 61 | NC | | 95 | PS | |
| 28 | PS | | 62 | NC | | 96 | PS | |
| 29 | PS | | 63 | NC | | 97 | PS | |
| 30 | PS | | 64 | NC | | 98 | PS | |
| 31 | 0 | | 65 | NC | | 99 | NC | |
| 32 | 0 | | 66 | NC | | 100 | 0.14/8.21 | FM/AM |
| 33 | 0 | | 67 | NC | | | | |
| 34 | NC | | 68 | NC | | | | |

| IC002 | | | |
|-------|------|----|------|
| 1 | PS | 11 | PS |
| 2 | PS | 12 | 0 |
| 3 | 0 | 13 | PS |
| 4 | PS | 14 | 4.80 |
| 5 | PS | 15 | 0 |
| 6 | 0 | 16 | PS |
| 7 | 4.80 | 17 | 2.41 |
| 8 | PS | 18 | PS |
| 9 | PS | 19 | PS |
| 10 | PS | 20 | PS |

| IC003 | | |
|-------|-------|---------|
| 1 | PS | |
| 2 | PS | |
| 3 | 0 | |
| 4 | 8.2/0 | TUNE/CD |
| 5 | 8.22 | |

| IC101 | | | | |
|-------|----|----|--------|------------------|
| 1 | PS | 8 | 0 | |
| 2 | PS | 9 | 0 | |
| 3 | PS | 10 | 0 | |
| 4 | PS | 11 | 0 | |
| 5 | 0 | 12 | 4.88/0 | ZERO MUTE ON/OFF |
| 6 | 0 | 13 | 3.17/0 | ZERO MUTE ON/OFF |
| 7 | 0 | 14 | 0/4.89 | TUNE/CD |

| IC102 | |
|-------|------|
| 1 | 3.30 |
| 2 | 4.88 |
| 3 | 0 |

| IC104 | | | |
|-------|----|----|------|
| 1 | PS | 8 | PS |
| 2 | PS | 9 | PS |
| 3 | PS | 10 | PS |
| 4 | PS | 11 | PS |
| 5 | 0 | 12 | 8.39 |
| 6 | 0 | 13 | 8.39 |
| 7 | 0 | 14 | 8.42 |

| IC201 | | | | | | | |
|-------|------|----|------|----|------|----|------|
| 1 | 0 | 21 | 2.44 | 41 | NC | 61 | 0 |
| 2 | 4.88 | 22 | NC | 42 | NC | 62 | NC |
| 3 | PS | 23 | 2.31 | 43 | 0 | 63 | NC |
| 4 | PS | 24 | 0 | 44 | NC | 64 | NC |
| 5 | 0 | 25 | 2.42 | 45 | 0 | 65 | 2.44 |
| 6 | NC | 26 | 2.42 | 46 | 0 | 66 | 2.44 |
| 7 | 0 | 27 | PS | 47 | NC | 67 | 2.44 |
| 8 | 2.43 | 28 | 4.88 | 48 | NC | 68 | PS |
| 9 | 2.43 | 29 | NC | 49 | 4.86 | 69 | 2.44 |
| 10 | NC | 30 | PS | 50 | 4.95 | 70 | 2.44 |
| 11 | PS | 31 | NC | 51 | NC | 71 | 2.44 |
| 12 | NC | 32 | 2.41 | 52 | 0 | 72 | PS |
| 13 | 4.88 | 33 | 2.41 | 53 | PS | 73 | NC |
| 14 | PS | 34 | NC | 54 | PS | 74 | 0 |
| 15 | 2.43 | 35 | 0 | 55 | NC | 75 | NC |
| 16 | NC | 36 | NC | 56 | NC | 76 | 2.44 |
| 17 | 2.43 | 37 | 4.88 | 57 | NC | 77 | NC |
| 18 | 0 | 38 | 0 | 58 | 4.86 | 78 | 4.88 |
| 19 | NC | 39 | 0 | 59 | 0 | 79 | 2.44 |
| 20 | 2.44 | 40 | NC | 60 | 0 | 80 | NC |

| IC202 | | | |
|-------|----|---|------|
| 1 | PS | 5 | 4.16 |
| 2 | PS | 6 | 4.16 |
| 3 | PS | 7 | 4.16 |
| 4 | 0 | 8 | 8.42 |

| IC301 | | | |
|-------|------|----|-------|
| 1 | PS | 8 | PS |
| 2 | PS | 9 | PS |
| 3 | PS | 10 | PS |
| 4 | 8.39 | 11 | -8.38 |
| 5 | PS | 12 | PS |
| 6 | PS | 13 | PS |
| 7 | PS | 14 | PS |

| IC302 | | | | |
|-------|--------|---------------|----|------|
| 1 | 0 | | 14 | PS |
| 2 | 0 | | 15 | PS |
| 3 | PS | | 16 | 1.34 |
| 4 | 4.92/0 | PWR IC ON/OFF | 17 | PS |
| 5 | PS | | 18 | 0 |
| 6 | 14.4 | | 19 | PS |
| 7 | PS | | 20 | 14.4 |
| 8 | 0 | | 21 | PS |
| 9 | PS | | 22 | 4.1 |
| 10 | 8.94 | | 23 | PS |
| 11 | PS | | 24 | 0 |
| 12 | PS | | 25 | NC |
| 13 | 0 | | | |

| IC303 | | | |
|-------|------|----|----|
| 1 | PS | 8 | PS |
| 2 | PS | 9 | PS |
| 3 | PS | 10 | PS |
| 4 | 8.42 | 11 | 0 |
| 5 | PS | 12 | PS |
| 6 | PS | 13 | PS |
| 7 | PS | 14 | PS |

| IC332 | | | |
|-------|-------|---|------|
| 1 | PS | 5 | PS |
| 2 | PS | 6 | PS |
| 3 | PS | 7 | PS |
| 4 | -8.38 | 8 | 8.39 |

| IC401 | | | | | | | | | |
|-------|----|----|----|----|----|----|------|----|------|
| 1 | PS | 17 | PS | 33 | PS | 49 | PS | 65 | 0 |
| 2 | PS | 18 | PS | 34 | PS | 50 | PS | 66 | 0 |
| 3 | PS | 19 | PS | 35 | PS | 51 | PS | 67 | 0 |
| 4 | PS | 20 | PS | 36 | PS | 52 | PS | 68 | 0 |
| 5 | PS | 21 | PS | 37 | PS | 53 | PS | 69 | 0 |
| 6 | PS | 22 | PS | 38 | PS | 54 | PS | 70 | 4.95 |
| 7 | PS | 23 | PS | 39 | PS | 55 | PS | 71 | 3.16 |
| 8 | PS | 24 | PS | 40 | PS | 56 | PS | 72 | 1.57 |
| 9 | PS | 25 | PS | 41 | PS | 57 | PS | 73 | 0 |
| 10 | PS | 26 | PS | 42 | PS | 58 | PS | 74 | 0 |
| 11 | PS | 27 | PS | 43 | PS | 59 | PS | 75 | PS |
| 12 | PS | 28 | PS | 44 | PS | 60 | 4.95 | 76 | 4.20 |
| 13 | PS | 29 | PS | 45 | PS | 61 | 4.95 | 77 | PS |
| 14 | PS | 30 | PS | 46 | PS | 62 | 4.95 | 78 | PS |
| 15 | PS | 31 | PS | 47 | PS | 63 | 4.95 | 79 | PS |
| 16 | PS | 32 | PS | 48 | PS | 64 | 4.95 | 80 | PS |

| IC403 | | |
|-------|---------|---------------|
| 1 | 4.78 | |
| 2 | 0 | |
| 3 | 0 | |
| 4 | 0.54/PS | Others/REMOTE |

| IC404 | | | | | |
|-------|---------|-----------------|----|--------|---------------|
| 1 | 4.93/0 | MENU RED ON/OFF | 9 | NC | |
| 2 | 0/4.92 | DIMMER ON/OFF | 10 | 2.89 | |
| 3 | 0/4.94 | BACK OUT ON/OFF | 11 | PS | |
| 4 | 4.91/0 | GRN ON/OFF | 12 | 4.92 | |
| 5 | PS/4.92 | SEA ON/OFF | 13 | 0 | |
| 6 | 4.91/0 | AMB ON/OFF | 14 | PS | |
| 7 | 4.89 | | 15 | 4.93/0 | MX RED ON/OFF |
| 8 | 0 | | 16 | 4.95 | |

| IC501-1 | | | | | |
|---------|--------|---------------|----|--------|------------------|
| 1 | NC | | 35 | PS | |
| 2 | PS | | 36 | PS | |
| 3 | PS | | 37 | 4.91 | |
| 4 | PS | | 38 | 4.93 | |
| 5 | PS | | 39 | 0 | |
| 6 | 0 | | 40 | 4.93 | |
| 7 | 0 | | 41 | 4.93 | |
| 8 | PS | | 42 | PS | |
| 9 | PS | | 43 | PS | |
| 10 | 4.94 | | 44 | 4.93/0 | FAN ON/OFF |
| 11 | PS | | 45 | 4.92 | |
| 12 | 0 | | 46 | 4.92 | |
| 13 | PS | | 47 | 4.87/0 | IN DIMMER ON/OFF |
| 14 | 4.93 | | 48 | 4.94/0 | PWR IC ON/OFF |
| 15 | 4.92 | | 49 | 4.89 | |
| 16 | 4.89 | | 50 | NC | |
| 17 | 4.92 | | 51 | 0/4.93 | A-MUTE ON/OFF |
| 18 | 4.89 | | 52 | 4.88/0 | IN-INT ON/OFF |
| 19 | 4.93 | | 53 | NC | |
| 20 | 0/4.78 | TUNE/CD | 54 | NC | |
| 21 | NC | | 55 | NC | |
| 22 | PS/0 | BUZZER ON/OFF | 56 | NC | |
| 23 | PS | | 57 | NC | |
| 24 | 0/4.88 | TUNE/CD | 58 | 0 | |
| 25 | 0/4.86 | TUNE/CD | 59 | PS | |
| 26 | NC | | 60 | 4.95 | |
| 27 | PS | | 61 | PS | |
| 28 | PS | | 62 | 0 | |
| 29 | PS | | 63 | NC | |
| 30 | PS | | 64 | NC | |
| 31 | NC | | 65 | 4.94 | |
| 32 | NC | | 66 | 0 | |
| 33 | 0/PS | TUNE/CD | 67 | NC | |
| 34 | 0/PS | TUNE/CD | 68 | NC | |

| IC501-2 | | | | | |
|---------|---------|-------------|-----|--------|--------------|
| 69 | NC | | 85 | 0/4.91 | Others/OPEN |
| 70 | NC | | 86 | 0/4.91 | Others/CLOSE |
| 71 | PS | | 87 | 4.19 | |
| 72 | NC | | 88 | 3.28 | |
| 73 | 0/PS | TUNE/CD | 89 | PS | |
| 74 | 4.94/PS | TUNE/CD | 90 | 0 | |
| 75 | 4.94 | | 91 | PS/0 | TUNE/CD |
| 76 | 4.94 | | 92 | NC | |
| 77 | 0/4.91 | MUTE ON/OFF | 93 | NC | |
| 78 | PS | | 94 | 0 | |
| 79 | 4.90 | | 95 | 2.46 | |
| 80 | NC | | 96 | 4.95 | |
| 81 | 0 | | 97 | 4.95 | |
| 82 | 4.93 | | 98 | NC | |
| 83 | 4.93 | | 99 | NC | |
| 84 | 4.93 | | 100 | NC | |

| IC502 | | | |
|-------|------|---|------|
| 1 | 0 | 5 | PS |
| 2 | 0 | 6 | PS |
| 3 | 4.94 | 7 | 0 |
| 4 | 0 | 8 | 4.95 |

| IC504 | | | |
|-------|----|---|------|
| 1 | PS | 5 | NC |
| 2 | PS | 6 | PS |
| 3 | 0 | 7 | PS |
| 4 | 0 | 8 | 4.89 |

| IC505 | | | |
|-------|----|---|------|
| 1 | PS | 5 | 2.44 |
| 2 | PS | 6 | PS |
| 3 | PS | 7 | PS |
| 4 | 0 | 8 | 4.89 |

| IC506 | |
|-------|------|
| 1 | 8.67 |
| 2 | 0 |
| 3 | 4.93 |

| IC601 | |
|-------|------|
| 1 | PS |
| 2 | PS |
| 3 | 0 |
| 4 | PS |
| 5 | 4.91 |

| IC602 | | | |
|-------|----|---|------|
| 1 | 0 | 5 | 0 |
| 2 | PS | 6 | PS |
| 3 | PS | 7 | PS |
| 4 | 0 | 8 | 4.92 |

| IC801 | | | | | | | |
|-------|--------|---------|----|--------|---------|----|------|
| 1 | 0 | | 11 | NC | | 21 | 4.94 |
| 2 | 0 | | 12 | NC | | 22 | PS |
| 3 | 4.95 | | 13 | NC | | 23 | NC |
| 4 | 4.24 | | 14 | 0 | | 24 | PS |
| 5 | 8.24/0 | TUNE/CD | 15 | 2.74 | | 25 | 14.4 |
| 6 | 4.94 | | 16 | NC | | | |
| 7 | 8.42 | | 17 | 13.68 | | | |
| 8 | 0 | | 18 | 4.94 | | | |
| 9 | 4.94 | | 19 | 0/6.93 | TUNE/CD | | |
| 10 | 2.2 | | 20 | 0 | | | |

| IC802 | |
|-------|------|
| 1 | 4.93 |
| 2 | 4.94 |
| 3 | 0 |
| 4 | NC |
| 5 | 2.62 |

| IC831 | | | | | |
|-------|--------|--------------|----|--------|--------------|
| 1 | 0 | | 14 | NC | |
| 2 | NC | | 15 | 0/4.13 | Others/CLOSE |
| 3 | NC | | 16 | NC | |
| 4 | 0/3.83 | Others/SWING | 17 | NC | |
| 5 | NC | | 18 | NC | |
| 6 | 0/3.93 | Others/OPEN | 19 | 0 | |
| 7 | 0 | | 20 | 0 | |
| 8 | 0/3.91 | Others/CLOSE | 21 | 0 | |
| 9 | NC | | 22 | NC | |
| 10 | 12.31 | | 23 | NC | |
| 11 | 12.31 | | 24 | 0/4.08 | Others/OPEN |
| 12 | NC | | 25 | NC | |
| 13 | 0 | | | | |

| IC901 | |
|-------|-------|
| 1 | -4.42 |
| 2 | 4.88 |
| 3 | -2.08 |
| 4 | 0 |
| 5 | 2.59 |

| IC1001-1 | | | | | |
|----------|---------|------------------|----|-----------|------------------|
| 1 | 0/2.36 | FM/AM | 21 | 3.26/4.30 | FM/AM |
| 2 | 0/2.36 | FM/AM | 22 | PS | |
| 3 | 0/2.35 | FM/AM | 23 | PS | |
| 4 | 0/PS | FM/AM | 24 | 0 | |
| 5 | 0 | | 25 | 3.20/0 | Receiving/Others |
| 6 | 7.87 | | 26 | PS | |
| 7 | 2.03/0 | FM/AM | 27 | PS | |
| 8 | 0 | | 28 | 8.27 | |
| 9 | 2.03/0 | FM/AM | 29 | PS | |
| 10 | PS | | 30 | 2.54 | |
| 11 | 0.77 | | 31 | 2.54 | |
| 12 | PS | | 32 | 2.54 | |
| 13 | 0.12/PS | Receiving/Others | 33 | 2.53 | |
| 14 | PS | | 34 | NC | |
| 15 | 0/PS | Receiving/Others | 35 | NC | |
| 16 | 8.25 | | 36 | NC | |
| 17 | PS | | 37 | 0 | |
| 18 | 0 | | 38 | 0 | |
| 19 | 3.83 | | 39 | 0 | |
| 20 | 3.35 | | 40 | NC | |

| IC1001-2 | | | | | |
|----------|---------|------------------|-----|-----------|---------------------|
| 41 | NC | | 93 | NC | |
| 42 | 0 | | 94 | 3.63 | |
| 43 | NC | | 95 | 0 | |
| 44 | NC | | 96 | PS | |
| 45 | NC | | 97 | PS | |
| 46 | PS | | 98 | 8.40 | |
| 47 | PS | | 99 | NC | |
| 48 | 0 | | 100 | NC | |
| 49 | 4.93 | | 101 | NC | |
| 50 | NC | | 102 | NC | |
| 51 | NC | | 103 | NC | |
| 52 | PS | | 104 | NC | |
| 53 | PS | | 105 | NC | |
| 54 | PS | | 106 | NC | |
| 55 | PS | | 107 | NC | |
| 56 | PS | | 108 | NC | |
| 57 | PS | | 109 | NC | |
| 58 | PS | | 110 | NC | |
| 59 | PS | | 111 | NC | |
| 60 | PS | | 112 | 0 | |
| 61 | NC | | 113 | 0 | |
| 62 | PS | | 114 | PS | |
| 63 | PS | | 115 | 8.17 | |
| 64 | PS | | 116 | PS/3.13 | TUNE/Others |
| 65 | PS | | 117 | 3.81 | |
| 66 | PS | | 118 | PS/3.78 | AM Receiving/Others |
| 67 | 4.16 | | 119 | 3.11 | |
| 68 | PS/4.16 | Receiving/Others | 120 | PS/2.81 | AM Receiving/Others |
| 69 | NC | | 121 | 2.87 | |
| 70 | NC | | 122 | 3.87 | |
| 71 | 4.13 | | 123 | 2.58 | |
| 72 | 4.14 | | 124 | 4.30 | |
| 73 | NC | | 125 | PS/4.31 | Receiving/Others |
| 74 | NC | | 126 | 0 | |
| 75 | NC | | 127 | 5.07 | |
| 76 | PS | | 128 | NC | |
| 77 | PS | | 129 | 0 | |
| 78 | PS | | 130 | PS/3.92 | Receiving/Others |
| 79 | PS | | 131 | 7.95 | |
| 80 | PS | | 132 | PS/1.92 | FM Receiving/Others |
| 81 | PS | | 133 | 1.92 | |
| 82 | PS | | 134 | PS/3.95 | FM Receiving/Others |
| 83 | PS | | 135 | PS/8.20 | AM Receiving/Others |
| 84 | PS | | 136 | PS/8.20 | AM Receiving/Others |
| 85 | PS | | 137 | 1.92 | |
| 86 | PS/4.11 | TUNE/Others | 138 | 1.92 | |
| 87 | NC | | 139 | 0 | |
| 88 | PS | | 140 | 3.66 | |
| 89 | PS | | 141 | 8.21 | |
| 90 | PS | | 142 | 8.21 | |
| 91 | PS | | 143 | 6.95/3.75 | FM/AM |
| 92 | PS | | 144 | 0.37/0.28 | MW/LW |

| IC1002 | | | | |
|--------|----|-----------|---|------|
| 1 | PS | Receiving | 5 | 4.15 |
| 2 | PS | Receiving | 6 | 4.15 |
| 3 | PS | Receiving | 7 | 4.15 |
| 4 | 0 | | 8 | 8.38 |

| Ref. No. | E | C | B | NOTE |
|----------|-----------|-------------|------------|------------------|
| Q001 | 8.24 | 0.12/8.17 | 8.17/7.47 | FM/AM |
| Q002 | 8.27 | 8.20/2.05 | 2.63/8.26 | FM/AM |
| Q006 | 0 | 8.20 | 0 | |
| Q008 | 0 | PS | PS | |
| Q103 | 3.31 | 0/3.25 | 3.31/2.59 | TUNE/CD |
| Q104 | 0 | 3.31/0 | 0/4.84 | TUNE/CD |
| Q304 | 0 | 4.12/0 | 0/3.50 | A-MUTE OFF/ON |
| Q401 | 0 | 0.03/10.30 | 4.93/0 | MX RED ON/OFF |
| Q402 | 0 | 0.03/10.33 | 4.93/0 | MENU RED ON/OFF |
| Q403 | 0 | PS/0.08 | PS/4.92 | SEA ON/OFF |
| Q404 | 0 | 0 | 0.69 | |
| Q405 | 0 | 0.07/6.43 | 0.74/0 | AUDIO AMB ON/OFF |
| Q406 | 0 | 0 | 0.73 | |
| Q407 | 8.0 | 11.54 | 8.63 | |
| Q408 | 0 | 0.03/3.77 | 0.72/0 | BACK OUT ON/OFF |
| Q414 | 0 | 0 | 4.20 | |
| Q502 | 8.72 | 14.38 | 9.33 | |
| Q503 | 8.72 | 14.38 | 9.33 | |
| Q505 | 4.89 | PS | PS | |
| Q506 | 4.95 | 1.94 | 4.94 | |
| Q507 | 0 | PS | PS | |
| Q601 | 0 | PS | PS | REMOTE |
| Q602 | 4.91 | PS | PS | REMOTE |
| Q603 | 0 | PS/14.38 | PS/0 | BUZZER ON/OFF |
| Q606 | 0 | 8.67 | 0 | |
| Q803 | 14.40 | 14.39 | 13.71 | |
| Q804 | 0 | 0 | 4.85 | |
| Q807 | 12.43 | 14.38 | 12.98 | |
| Q808 | 12.43 | 14.38 | 12.98 | |
| Q812 | 10.1/0.14 | 14.39/14.39 | 10.72/0.24 | FAN ON/OFF |
| Q826 | 11.92 | 14.38 | 12.60 | |
| Q841 | 4.88 | 0/4.86 | 4.87/3.14 | IN-INT OFF/ON |
| Q844 | 0 | 0/3.50 | 4.89/0 | A-MUTE OFF/ON |
| Q894 | 0 | 4.87/0 | 0/9.66 | IN DIMMER OFF/ON |

| Ref. No. | 1 | 2 | 3 | 4 | NOTE |
|----------|-----------|-----------|-----------|--------|-------|
| Q1003 | 2.51/0.64 | 7.91/7.87 | 7.92/2.05 | 0.87/0 | FM/AM |

| Ref. No. | 1 | 2 | 3 | 4 | 5 | NOTE |
|----------|-----------|------------|-------|--------|--------|---------------|
| Q005 | 0 | 4.79 | 4.91 | 8.15 | 0 | |
| Q101 | 8.42/0 | 0.27/8.37 | 8.44 | 0/4.78 | 0 | TUNE/CD |
| Q102 | 4.89/0.11 | 0/4.84 | 4.91 | 0/4.78 | 0 | TUNE/CD |
| Q201 | 0 | 8.40 | 0 | 0 | 4.71 | |
| Q501 | 0 | 14.33 | 14.38 | 4.89 | 0 | |
| Q809 | 0 | 14.35 | 14.39 | 4.69 | 0 | |
| Q813 | 14.34/0 | 0.3/14.3 | 14.4 | 0/4.89 | 0 | FAN OFF/ON |
| Q815 | 0 | 4.88 | 4.94 | 4.88 | 0 | |
| Q817 | 0 | 4.88 | 4.90 | 6.52 | 0 | |
| Q821 | 0 | 4.90 | 4.94 | 2.72 | 0 | |
| Q825 | 0 | 14.35 | 14.40 | 4.89 | 0 | |
| Q872 | 14.34/0 | -0.2/14.34 | 14.4 | 0/3.49 | 0 | A-MUTE OFF/ON |
| Q901 | 0.12 | 4.80 | 4.81 | 4.89 | 0 | |
| Q1004 | 0.23/7.68 | 0/0 | 0/0 | 0/2.76 | 0/2.88 | FM/AM |

| Ref. No. | 1 | 2 | 3 | 4 | 5 | 6 | NOTE |
|----------|------|------|------|----------|------|-----------|---------------|
| Q311 | 0/PS | 0 | 0/PS | 6.3/-0.3 | 0 | 6.31/-0.3 | A-MUTE ON/OFF |
| Q312 | 0/PS | 0 | 0/PS | 6.3/-0.3 | 0 | 6.31/-0.3 | A-MUTE ON/OFF |
| Q313 | 0/PS | 0 | 0/PS | 6.3/-0.3 | 0 | 6.31/-0.3 | A-MUTE ON/OFF |
| Q604 | PS | 4.91 | PS | PS | 4.91 | PS | |

[Measuring Conditions]

- 1.Power Supply Voltage : DC14.4V
2.Measuring Meter : Digital Multi Meter
3.Measuring Point Reference : Between GND
4.Measuring Condition : FM : 98.1MHz
MW : 999KHz
LW : 216KHz
CD : at playing Disc

(CD Deck Mechanism)

| IC101 | | | | | | | | | | | |
|-------|-----|----|-----|----|-----|----|-----|-----|----|-----|-----|
| 1 | L | 25 | H | 49 | H | 73 | L | 97 | PS | 121 | L |
| 2 | L | 26 | H | 50 | L | 74 | L | 98 | H | 122 | L |
| 3 | L | 27 | H | 51 | H | 75 | H | 99 | L | 123 | L |
| 4 | H | 28 | H | 52 | 1.6 | 76 | L | 100 | L | 124 | PS |
| 5 | L | 29 | H | 53 | PS | 77 | H | 101 | L | 125 | 1.6 |
| 6 | L | 30 | H | 54 | H | 78 | L | 102 | L | 126 | L |
| 7 | L | 31 | H | 55 | H | 79 | L | 103 | L | 127 | 2.5 |
| 8 | L | 32 | H | 56 | H | 80 | L | 104 | L | 128 | L |
| 9 | L | 33 | H | 57 | L | 81 | L | 105 | H | 129 | 2.5 |
| 10 | L | 34 | L | 58 | H | 82 | L | 106 | L | 130 | H |
| 11 | L | 35 | H | 59 | 1.6 | 83 | H | 107 | H | 131 | L |
| 12 | 1.6 | 36 | H | 60 | L | 84 | H | 108 | H | 132 | L |
| 13 | 2.5 | 37 | L | 61 | H | 85 | L | 109 | L | 133 | L |
| 14 | L | 38 | H | 62 | 2.5 | 86 | 2.5 | 110 | L | 134 | H |
| 15 | L | 39 | 2.5 | 63 | H | 87 | L | 111 | L | 135 | PS |
| 16 | H | 40 | L | 64 | H | 88 | 2.5 | 112 | H | 136 | H |
| 17 | H | 41 | PS | 65 | L | 89 | 2.5 | 113 | L | 137 | H |
| 18 | 2.5 | 42 | L | 66 | PS | 90 | L | 114 | L | 138 | L |
| 19 | H | 43 | PS | 67 | L | 91 | 1.6 | 115 | L | 139 | L |
| 20 | H | 44 | L | 68 | 1.6 | 92 | L | 116 | L | 140 | L |
| 21 | H | 45 | L | 69 | L | 93 | L | 117 | L | 141 | L |
| 22 | H | 46 | 2.5 | 70 | L | 94 | H | 118 | L | 142 | 1.6 |
| 23 | H | 47 | L | 71 | L | 95 | L | 119 | L | 143 | L |
| 24 | H | 48 | PS | 72 | L | 96 | PS | 120 | H | 144 | L |

| IC103 | | | | | | | | | | | |
|-------|---|----|---|----|---|----|---|----|---|----|---|
| 1 | H | 9 | L | 17 | H | 25 | L | 33 | L | 41 | L |
| 2 | H | 10 | L | 18 | L | 26 | H | 34 | L | 42 | L |
| 3 | H | 11 | H | 19 | L | 27 | L | 35 | L | 43 | L |
| 4 | H | 12 | H | 20 | H | 28 | H | 36 | L | 44 | L |
| 5 | L | 13 | L | 21 | H | 29 | L | 37 | H | 45 | L |
| 6 | L | 14 | L | 22 | H | 30 | L | 38 | L | 46 | L |
| 7 | L | 15 | L | 23 | L | 31 | L | 39 | L | 47 | H |
| 8 | L | 16 | H | 24 | L | 32 | L | 40 | L | 48 | H |

| IC104 | | | |
|-------|---|----|---|
| 1 | H | 9 | H |
| 2 | L | 10 | H |
| 3 | L | 11 | H |
| 4 | H | 12 | H |
| 5 | H | 13 | H |
| 6 | H | 14 | H |
| 7 | H | 15 | H |
| 8 | L | 16 | H |

| IC107 | |
|-------|----|
| 1 | PS |
| 2 | PS |
| 3 | H |
| 4 | L |
| 5 | L |
| 6 | PS |
| 7 | PS |
| 8 | H |

| IC108 | |
|-------|------|
| 1 | H |
| 2 | L |
| 3 | 1.25 |
| 4 | 1.6 |
| 5 | H |

| IC109 | |
|-------|---|
| 1 | H |
| 2 | H |
| 3 | L |
| 4 | L |
| 5 | L |

| IC110 | |
|-------|---|
| 1 | L |
| 2 | H |
| 3 | L |
| 4 | L |
| 5 | H |

| IC201 | | | | | | | | | |
|-------|----|----|-----|----|-----|----|-----|----|-----|
| 1 | PS | 17 | L | 33 | 1.6 | 49 | L | 65 | PS |
| 2 | PS | 18 | L | 34 | 1.6 | 50 | H | 66 | L |
| 3 | L | 19 | PS | 35 | L | 51 | L | 67 | L |
| 4 | H | 20 | L | 36 | L | 52 | PS | 68 | L |
| 5 | L | 21 | 1.6 | 37 | 1.6 | 53 | PS | 69 | L |
| 6 | L | 22 | 1.6 | 38 | L | 54 | 1.4 | 70 | L |
| 7 | L | 23 | H | 39 | L | 55 | PS | 71 | H |
| 8 | H | 24 | 1.6 | 40 | L | 56 | L | 72 | H |
| 9 | L | 25 | 1.6 | 41 | L | 57 | L | 73 | 1.6 |
| 10 | L | 26 | 1.6 | 42 | 1.6 | 58 | PS | 74 | L |
| 11 | L | 27 | 1.6 | 43 | L | 59 | PS | 75 | 1.6 |
| 12 | H | 28 | 1.6 | 44 | 1.6 | 60 | H | 76 | H |
| 13 | L | 29 | 1.6 | 45 | 1 | 61 | H | 77 | L |
| 14 | L | 30 | 1.6 | 46 | L | 62 | PS | 78 | L |
| 15 | L | 31 | 1.6 | 47 | 1.6 | 63 | L | 79 | PS |
| 16 | L | 32 | 1.6 | 48 | L | 64 | PS | 80 | PS |

| IC401 | | | | | | | |
|-------|------|----|------|----|------|----|------|
| 1 | L | 9 | 1.6 | 17 | 1.65 | 25 | 1.65 |
| 2 | 2.76 | 10 | 1.6 | 18 | 1.65 | 26 | 1.65 |
| 3 | H | 11 | 2.12 | 19 | 1.65 | 27 | 1.65 |
| 4 | 1.6 | 12 | L | 20 | 1.65 | 28 | 1.65 |
| 5 | 1.6 | 13 | 1.9 | 21 | 1.65 | 29 | 1.65 |
| 6 | 2.5 | 14 | L | 22 | 1.65 | 30 | 1.65 |
| 7 | 0.78 | 15 | H | 23 | 1.65 | 31 | 1.65 |
| 8 | 1.7 | 16 | L | 24 | 0.86 | 32 | 1.65 |

| IC501 | | | |
|-------|-----|---|-----|
| 1 | 2.5 | 5 | 2.5 |
| 2 | 2.5 | 6 | 2.5 |
| 3 | 2.5 | 7 | 2.5 |
| 4 | L | 8 | 5 |

| IC503 | |
|-------|-----|
| 1 | L |
| 2 | 8 |
| 3 | 3.3 |
| 4 | L |

| IC504 | |
|-------|---|
| 1 | 5 |
| 2 | L |
| 3 | 8 |

| IC601 | | | | | | | |
|-------|------|----|---|----|---|----|------|
| 1 | 1.65 | 8 | 7 | 15 | H | 22 | 1.65 |
| 2 | L | 9 | L | 16 | H | 23 | 1.65 |
| 3 | 1.65 | 10 | L | 17 | H | 24 | 1.65 |
| 4 | 1.65 | 11 | H | 18 | H | 25 | 1.65 |
| 5 | 1.65 | 12 | H | 19 | L | 26 | 1.65 |
| 6 | 1.65 | 13 | H | 20 | L | 27 | 1.65 |
| 7 | 1.65 | 14 | H | 21 | L | 28 | L |

| | E | C | B |
|------|-----|---|------|
| Q401 | 3.3 | L | 3.12 |

[Measuring Conditions]

1. Power Supply Voltage : DC14.4V
2. Measuring Meter : Digital Multi Voltmeter
3. Measuring Point Reference : Between GND
4. Measuring Condition : at playing Disc

Description of IC Terminal

D78F4216AGC : IC001

| No. | Symbol | I/O | Terminal Description |
|-----|-------------|-----|---|
| 1 | IF MUTE | O | IF MUTE control terminal. (H:IF MUTE ON) |
| 2 | NC | - | No connect terminal. |
| 3 | | | |
| 4 | RDS-CONT | O | RDS data input prevention control terminal of adjoining station. (H:RDS OFF) |
| 5 | IF MUTE(NC) | - | No connect terminal. |
| 6 | NC | | |
| 7 | | | |
| 8 | | | |
| 9 | VDD | - | Power supply terminal. |
| 10 | X2 | - | Crystal OSC connect terminal for main system clock OSC. (12.288MHz) |
| 11 | X1 | | |
| 12 | VSS | - | GND terminal. |
| 13 | XT2(NC) | - | No connect terminal. |
| 14 | XT1(GND) | - | GND terminal. |
| 15 | RESET | I | System reset input terminal. |
| 16 | BATT-DET | I | BATT compulsion stand-by signal input terminal from VDD IC. |
| 17 | STANDBY | I | Stand-by signal input terminal from Main μ -COM. |
| 18 | NC | - | No connect terminal. |
| 19 | IS BUS Fin | I | IS BUS frame signal input terminal. |
| 20 | NC | - | No connect terminal. |
| 21 | | | |
| 22 | | | |
| 23 | AVDD | - | Analog power supply terminal of A/D converter. |
| 24 | AVREF0 | I | Standard voltage input terminal of A/D converter. |
| 25 | S-METER | I | Signal-Meter input terminal. |
| 26 | MULTIPATH | I | Multipath input terminal of RDS Decoder. |
| 27 | ADJCH-DET | I | Adjoining station detect input terminal. |
| 28 | SSTOP | I | FM station detect signal input terminal. |
| 29 | AMST/MP | I | SEEK STOP detect input terminal at AM. (H:Station ON) |
| 30 | AFC | I | FM station detect signal input terminal. |
| 31 | NC(GND) | - | GND terminal. |
| 32 | | | |
| 33 | AVSS | - | GND terminal of A/D converter. |
| 34 | NC | - | No connect terminal. |
| 35 | | | |
| 36 | AVREF1 | I | Standard voltage input terminal of D/A converter. |
| 37 | IS BUS RX | I | IS BUS receiving terminal. |
| 38 | IS BUS TX | O | IS BUS transmitting terminal. |
| 39 | IS BUS Fout | O | IS BUS frame signal output terminal. |
| 40 | MONITOR RXD | I | Command input terminal for RDS monitor (P/C). (Pull-up connect) |
| 41 | MONITOR TXD | O | Status output terminal for RDS monitor (P/C). |
| 42 | NC | - | No connect terminal. |
| 43 | | | |
| 47 | | | |
| 48 | T-MUTE | O | MUTE signal output terminal to Main μ -COM. |
| 49 | NC | - | No connect terminal. |
| 50 | | | |

| No. | Symbol | I/O | Terminal Description |
|-----|--------------|-----|---|
| 51 | MARKET1 | I | Area set up terminal. |
| 52 | MARKET2 | | |
| 53 | MARKET3 | | |
| 54 | AUTOADJ | I | Auto adjustment start signal terminal of FM/AM TUNER. (L:start) |
| 55 | NC | - | No connect terminal. |
| I | | | |
| 71 | | | |
| 72 | VSS | - | GND terminal. |
| 73 | NC | - | No connect terminal. |
| I | | | |
| 80 | | | |
| 81 | VDD | - | Power supply terminal. |
| 82 | NC | - | No connect terminal. |
| I | | | |
| 91 | | | |
| 92 | PAUSE | I | Audio signal detect terminal. (L:Blank) |
| 93 | DAVN | I | Data available input terminal of RDS Decoder. |
| 94 | TEST/VPP | - | GND terminal. |
| 95 | RDS SDA | I/O | Data input/output terminal to RDS Decoder. |
| 96 | RDS SCL | O | Clock output terminal to RDS Decoder. |
| 97 | IIC SCL | O | I2C clock output terminal to TUNER-IC(TDA7511). |
| 98 | IIC SDA | I/O | I2C data input/output terminal to TUNER-IC(TDA7511). |
| 99 | TUNER ON(NC) | - | No connect terminal. |
| 100 | FM/AM | O | FM/AM power supply switching terminal. (L:FM) |

M30626FHPGP : IC501

| No. | Symbol | I/O | Terminal Description |
|-----|--------------|-----|---|
| 1 | NC | - | No connect terminal. |
| 2 | REMOCON DATA | I | Remote control input terminal. |
| 3 | LCD DO | O | Serial DATA signal output terminal to LCD Driver. |
| 4 | LCD DI | I | Serial DATA signal input terminal from LCD Driver. |
| 5 | LCD CLK | O | Serial clock signal output terminal to LCD Driver. |
| 6 | GND(BYTE) | - | GND terminal. |
| 7 | GND(CNVss) | | |
| 8 | 32.768kHz | I | Crystal OSC connect terminal for sub system clock OSC. |
| 9 | | O | |
| 10 | RESET | I | System RESET input terminal. |
| 11 | 6MHz | O | Crystal OSC connect terminal for main system clock OSC. |
| 12 | GND | - | GND terminal. |
| 13 | 6MHz | I | Crystal OSC connect terminal for main system clock OSC. |
| 14 | VCC | - | Power supply terminal. |
| 15 | NMI | - | Pull-up connect terminal. |
| 16 | 8V-DET | I | 8V ON detection input terminal. |
| 17 | ACC-DET | I | ACC ON detection signal input terminal. |
| 18 | BATT-DET | I | BATT ON detection signal input terminal. |
| 19 | BL LED | O | LED control signal output terminal for LCD backlight. |
| 20 | V-CONT | O | CD BATT power supply control signal output terminal. |
| 21 | NC | - | No connect terminal. |
| 22 | BUZZER | O | BUZZER signal output terminal. |

| No. | Symbol | I/O | Terminal Description |
|-----|-----------|-----|---|
| 23 | BUS-IN | I | Ai-NET BUS signal input terminal. |
| 24 | CD RST | O | System RESET output terminal to CD u-COM. |
| 25 | CD STBY | O | Active stand-by request signal output terminal to CD u-COM. |
| 26 | NC | - | No connect terminal. |
| 27 | BUS IN | I | Ai-NET BUS signal input terminal. |
| 28 | BUS OUT | O | Ai-NET BUS signal output terminal. |
| 29 | RDS TXD | O | Command DATA signal output terminal to RDS u-COM. |
| 30 | RDS RXD | I | Status DATA signal input terminal from RDS u-COM. |
| 31 | NC | - | No connect terminal. |
| 32 | | | |
| 33 | CD TXD | O | Serial DATA output terminal to CD Mechanism. |
| 34 | CD RXD | I | Serial DATA input terminal from CD Mechanism. |
| 35 | CD CLK | O | Serial clock output terminal to CD Mechanism. |
| 36 | LCD-CE | O | Chip enable signal output terminal to LCD Driver. |
| 37 | LCD INH | O | INH Signal output terminal to LCD Driver. |
| 38 | LPF1 | O | Control signal output terminal to LPF. |
| 39 | LPF2 | | |
| 40 | NOSE PWR | O | NOSE around power supply control signal output terminal. |
| 41 | LCD STB | O | RCK Signal output terminal to shift register. |
| 42 | IIC-DATA | I/O | I2C serial DATA input/output terminal. |
| 43 | IIC-CLK | O | I2C serial clock output terminal. |
| 44 | FAN CONT | O | FAN control output terminal. |
| 45 | ENCODER2 | I | Encoder-2 input terminal. |
| 46 | ENCODER1 | I | Encoder-1 input terminal. |
| 47 | IN DIMMER | I | Outernal DIMMER detection signal input terminal. |
| 48 | PWR IC ON | O | POWER-IC stand-by control signal output terminal. |
| 49 | O.REM | O | REMOTE ON signal output terminal for outernal AMP. |
| 50 | NC | - | No connect terminal. |
| 51 | A-MUTE | O | A-MUTE signal output terminal. |
| 52 | IN INT | I | Outernal interrupt signal input terminal. (at interrupt:H) |
| 53 | NC | - | No connect terminal. |
| 54 | | | |
| 57 | | | |
| 58 | ZERO DET | I | 0 Bit MUTE signal input terminal from CD u-COM. |
| 59 | IIC-DATA | I/O | I2C serial DATA input/output terminal. |
| 60 | VCC | - | Power supply terminal. |
| 61 | IIC-CLK | O | I2C serial clock output terminal. |
| 62 | GND | - | GND terminal. |
| 63 | NC | - | No connect terminal. |
| 64 | | | |
| 65 | XRST(DSP) | O | RESET signal output terminal to DSP-IC. |
| 66 | AREA | I | AREA/Function definition terminal. |
| 67 | NC | - | No connect terminal. |
| 68 | | | |
| 70 | | | |
| 71 | RDS FIN | I | Status DATA signal input terminal from RDS u-COM. |
| 72 | NC | - | No connect terminal. |
| 73 | CD FIN | I | Frame input terminal. |

| No. | Symbol | I/O | Terminal Description |
|-----|---------------|-----|---|
| 74 | CD FOUT | O | Frame output terminal. |
| 75 | REG RESET | O | RESET signal output terminal to system Regulator IC. |
| 76 | RDS RESET | O | RESET control signal output terminal to RDS u-COM. |
| 77 | T-MUTE | I | A-MUTE signal input terminal from RDS u-COM. |
| 78 | RDS FOUT | O | DATA output signal output terminal to RDS u-COM. |
| 79 | RDS STBY | O | Stand-by signal output terminal to RDS u-COM. |
| 80 | NC | - | No connect terminal. |
| 81 | DOOR LED | O | ESC LED lighting control output terminal. |
| 82 | LIMIT SW1 | I | OPEN LIMIT SW signal input terminal. (H:SW OFF, L:SW ON) |
| 83 | LIMIT SW2 | I | CLOSE LIMIT SW signal input terminal. (H:SW OFF, L:SW ON) |
| 84 | MOTOR ON | O | Power supply control terminal for unizon MOTOR. |
| 85 | MOTOR FOR | O | Unizon MOTOR forward driving signal output terminal. |
| 86 | MOTOR REV | O | Unizon MOTOR backward driving signal output terminal. |
| 87 | HI-TEMP | I | CD HI-TEMP input terminal. |
| 88 | CD IN SW | I | CD DISC-IN detection signal input terminal. |
| 89 | AUDIO | I | A/D DATA input terminal from AUDIO signal. |
| 90 | NC(PULL-DOWN) | - | Pull-down connect terminal. |
| 91 | AFC | I | AFC signal input terminal. |
| 92 | NC | - | No connect terminal. |
| 93 | | | |
| 94 | GND | - | GND terminal of A/D Converter. |
| 95 | NOSE DET | I | NOSE detachable detection terminal. |
| 96 | VCC | I | Standard voltage input terminal of A/D Converter. |
| 97 | | I | Power supply input terminal of A/D Converter. |
| 98 | NC | - | No connect terminal. |
| 99 | | | |
| 100 | | | |

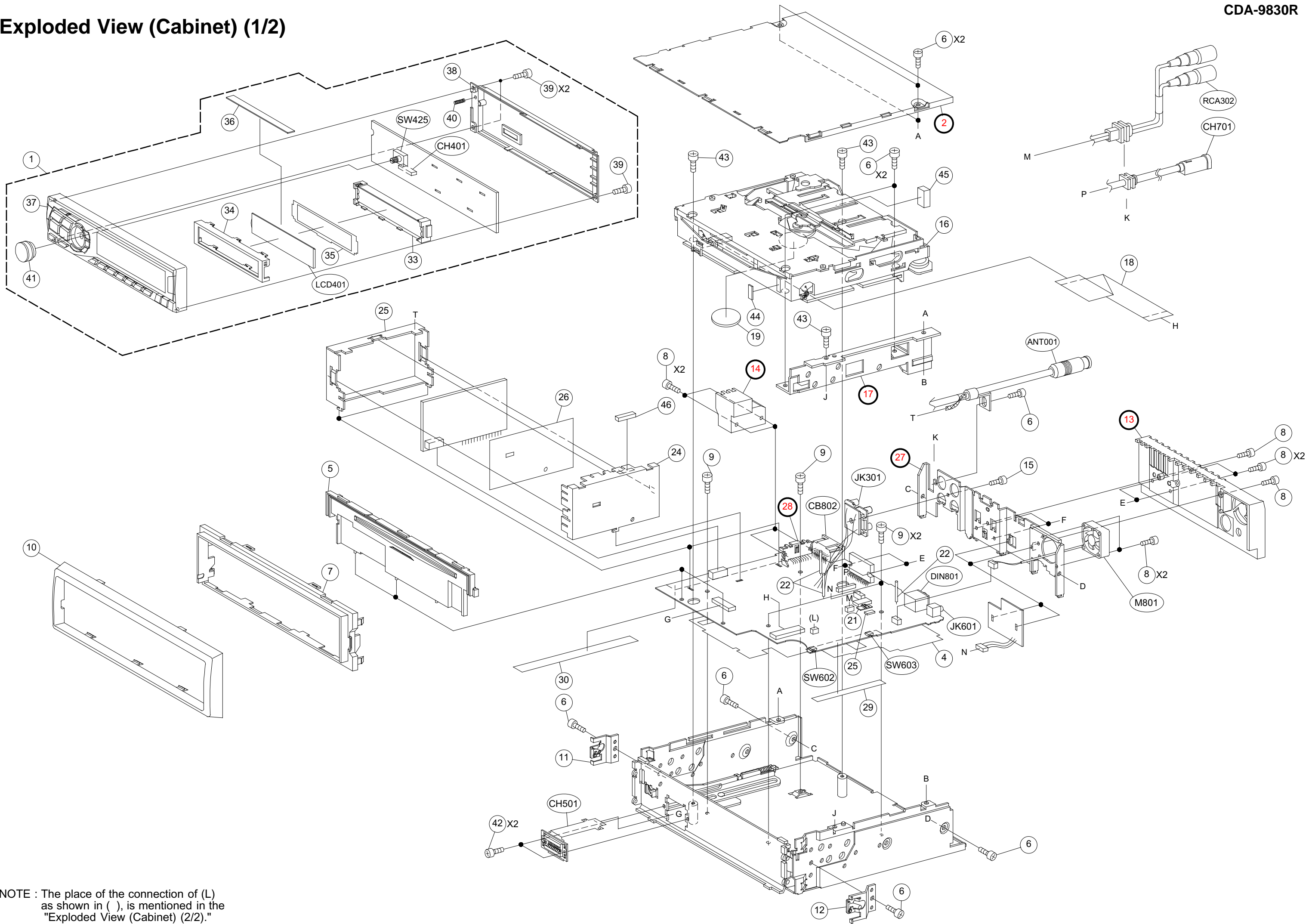
TMS320DA150PGE160 : IC101

| No. | Symbol | I/O | Terminal Description |
|-----|-------------------|-----|--|
| 1 | CVSS | - | GND connect terminal. |
| 2 | A22 | O | External program address terminal. |
| 3 | CVSS | - | GND connect terminal. |
| 4 | DVDD | - | Power supply terminal. (+3.3V) |
| 5 | A10 | O | External program address terminal. |
| 6 | Load-Motor2 | O | LOAD motor control terminal. |
| 7 | A11 | O | External program address terminal. |
| 8 | A12 | | |
| 9 | A13 | | |
| 10 | A14 | | |
| 11 | A15 | | |
| 12 | CVDD | - | Power supply terminal. (+1.6V) |
| 13 | HAS(PULL-DOWN) | - | Pull-down connect terminal. |
| 14 | DVSS | - | GND connect terminal. (+3.3V) |
| 15 | CVSS | - | GND connect terminal. (+1.6V) |
| 16 | CVDD | - | Power supply terminal. (+3.3V) |
| 17 | NC | - | No connect terminal. |
| 18 | HR/W(PULL-DOWN) | - | Pull-down connect terminal. |
| 19 | READY | - | DVDD connect terminal. |
| 20 | RON/CS | O | External program chip selection signal terminal. |
| 21 | NC | - | No connect terminal. |
| 22 | NC | | |
| 23 | SDRAM_ROM/WE | O | External program read / write signal terminal. |
| 24 | NSTRB | O | External program memory strobe signal terminal. |
| 25 | NC | - | No connect terminal. |
| 26 | NC | | |
| 27 | RESET | O | The RESET request signal terminal to SERVO-LSI. |
| 28 | NC | - | No connect terminal. |
| 29 | NC | | |
| 30 | PULL-UP | - | Pull-up connect terminal. |
| 31 | CS | I | EPF-BUS2 communication CS signal terminal. |
| 32 | PULL-UP | - | Pull-up connect terminal. |
| 33 | DVDD | - | Power supply terminal. (+3.3V) |
| 34 | CVSS | - | GND connect terminal. (+1.6V) |
| 35 | STBY | I | EPF-BUS2 communication STBY signal terminal. |
| 36 | MLD | O | SERVO-LSI control communication Command load signal terminal. |
| 37 | CVSS | - | GND connect terminal. (+1.6V) |
| 38 | MCLK | O | SERVO-LSI control communication Command clock signal terminal. |
| 39 | HCNTL0(PULL-DOWN) | - | Pull-down connect terminal. |
| 40 | DVSS | - | GND connect terminal. |
| 41 | BCLK | I | BCLK input signal terminal. |
| 42 | NC | - | No connect terminal. |
| 43 | LRLK | I | LRCLK input signal terminal. |
| 44 | NC | - | No connect terminal. |
| 45 | SRDATA | I | SRDATA input signal terminal. |
| 46 | HCNTL1(PULL-DOWN) | - | Pull-down connect terminal. |
| 47 | CMD | I | EPF-BUS2 communication CMD signal terminal. |

| No. | Symbol | I/O | Terminal Description |
|-----|-------------------|-----|---|
| 48 | SSEL | O | BCLK output signal terminal. |
| 49 | SCK | I | PF-BUS2 communication SCK signal terminal. |
| 50 | CVSS | - | GND connect terminal. (+1.6V) |
| 51 | HINT(PULL-DOWN) | - | Pull-down connect terminal. |
| 52 | CVDD | - | Power supply terminal. (+1.6V) |
| 53 | MSEL | O | LRCLK output signal terminal. (LR polarity, SMCK fixation) |
| 54 | CS | I | EPF-BUS2 communication CS signal terminal. |
| 55 | HRDY(PULL-DOWN) | - | Pull-down connect terminal. |
| 56 | DVDD | - | Power supply terminal. (+3.3V) |
| 57 | DVSS | - | GND connect terminal. (+3.3V) |
| 58 | /SRQ | O | EPF-BUS2 communication SRQ signal terminal. |
| 59 | PSEL | O | SRDATA output terminal. |
| 60 | STS | O | EPF-BUS2 communication STS signal terminal. |
| 61 | NC | - | No connect terminal. |
| 62 | HBIL(PULL-DOWN) | - | Pull-down connect terminal. |
| 63 | STBY | I | STBY demand signal terminal. |
| 64 | CLOCK | I | Sub code frame clock signal terminal. (fCLDCK=7.35kHz) |
| 65 | BLKCK | I | Sub code block clock signal terminal. (fBLDCK=75Hz) |
| 66 | IPFLAG | I | Interpolation flag signal input terminal. (H : Interpolation) |
| 67 | /SCK | I | EPF-BUS2 communication Logic reversal signal terminal of SCK. |
| 68 | CVDD | - | Power supply terminal. (+1.6V) |
| 69 | SW-A | I | DISC position detection SW-A input terminal. |
| 70 | CVSS | - | GND connect terminal. (+1.6V) |
| 71 | NC | - | No connect terminal. |
| 72 | DVSS | - | GND connect terminal. (+3.3V) |
| 73 | SW-C | I | DISC position detection SW-C input terminal. |
| 74 | S/PDIF | O | Digital. data (SPDIF) output terminal. |
| 75 | DVDD | - | Power supply terminal. (+3.3V) |
| 76 | DVSS | - | GND connect terminal. (+3.3V) |
| 77 | PULL-UP | - | Pull-up connect terminal. |
| 78 | PULL-DOWN | - | Pull-down connect terminal. |
| 79 | PULL-DOWN | | |
| 80 | HPI16(PULL-DOWN) | | |
| 81 | SW-B | | DISC position detection SW-B input terminal. |
| 82 | NC | - | No connect terminal. |
| 83 | EMU0 | I | Emulator terminal. |
| 84 | EMU1/OFF | | |
| 85 | TDO(PULL-DOWN) | - | Pull-down connect terminal. |
| 86 | TDI(PULL-DOWN) | | |
| 87 | TRST(PULL-DOWN) | | |
| 88 | TCK(PULL-DOWN) | | |
| 89 | TMS(PULL-DOWN) | | |
| 90 | CVSS | - | GND connect terminal. (+1.6V) |
| 91 | CVDD | - | Power supply terminal. (+1.6V) |
| 92 | HPIENA(PULL-DOWN) | - | Pull-down connect terminal. |
| 93 | DVSS | - | GND connect terminal. (+3.3V) |
| 94 | NC | - | No connect terminal. |
| 95 | Load-Motor1 | O | LOAD motor control terminal. |

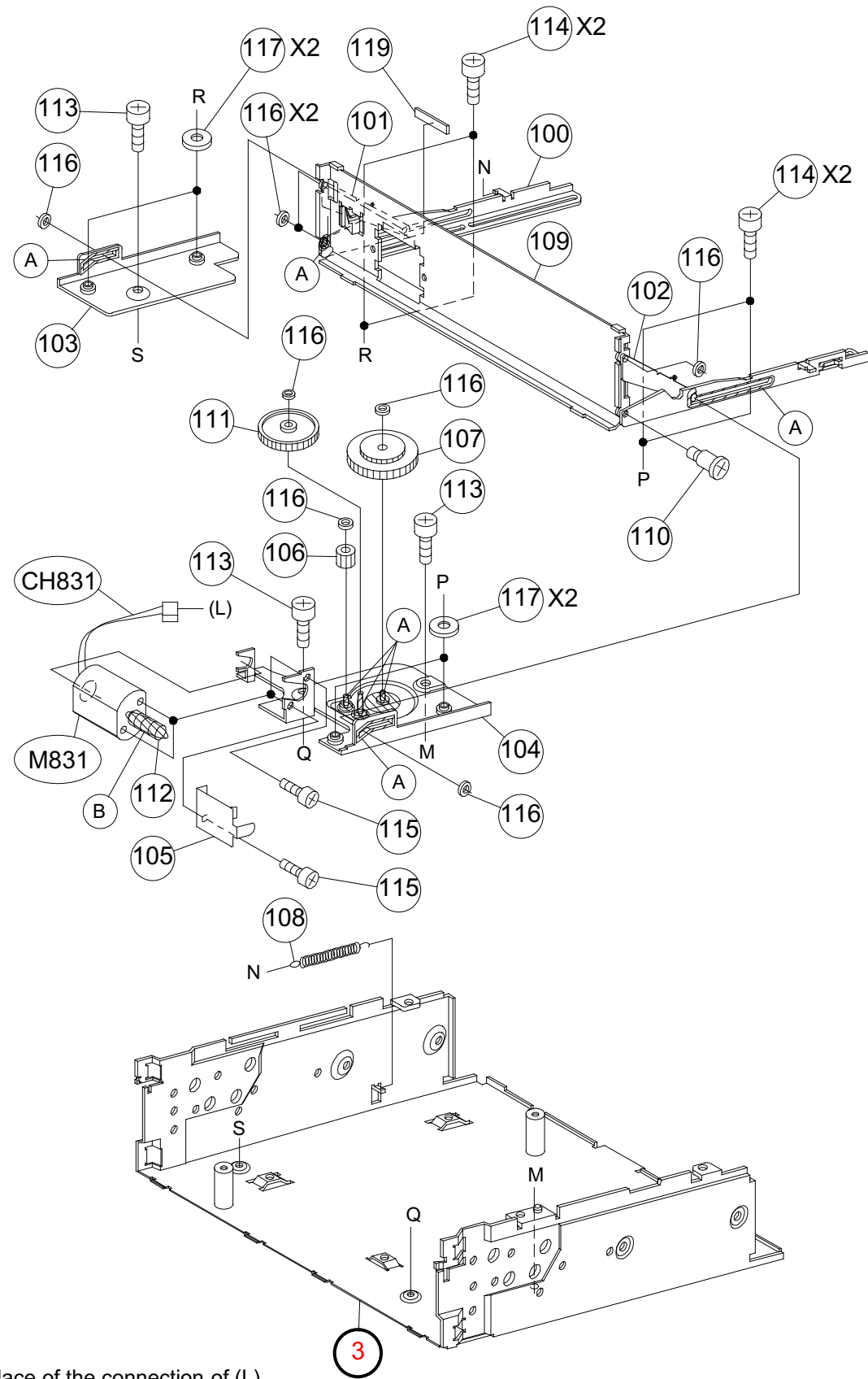
| No. | Symbol | I/O | Terminal Description |
|-----|-----------------|-----|---|
| 96 | X1(NC) | - | No connect terminal. |
| 97 | X2 | I | Clock connect terminal. |
| 98 | DSP RESET | I | EPF-BUS2 communication RESET signal terminal. |
| 99 | D0 | O | External program data terminal. |
| 100 | D1 | | |
| 101 | D2 | | |
| 102 | D3 | | |
| 103 | D4 | | |
| 104 | D5 | | |
| 105 | A16 | O | External program address terminal. |
| 106 | DVSS | - | GND connect terminal. |
| 107 | A17 | I/O | External program address terminal. |
| 108 | A18 | | |
| 109 | A19 | | |
| 110 | A20 | | |
| 111 | CVSS | - | GND connect terminal. |
| 112 | DVDD | - | Power supply terminal. (+3.3V) |
| 113 | D6 | I/O | External program data terminal. |
| 114 | D7 | | |
| 115 | D8 | | |
| 116 | D9 | | |
| 117 | D10 | | |
| 118 | D11 | | |
| 119 | D12 | | |
| 120 | SW-D | I | DISC position detection SW-D input terminal. |
| 121 | D13 | I/O | External program data terminal. |
| 122 | D14 | | |
| 123 | D15 | | |
| 124 | MDATA | O | SERVO-LSI control communication Command data signal terminal. |
| 125 | CVDD | - | Power supply terminal. (+1.6V) |
| 126 | CVSS | - | GND connect terminal. |
| 127 | HDS1(PULL-DOWN) | - | Pull-down connect terminal. |
| 128 | DVSS | - | GND connect terminal. |
| 129 | HDS2(PULL-DOWN) | - | Pull-down connect terminal. |
| 130 | DVDD | - | Power supply terminal. (+3.3V) |
| 131 | A0 | O | External program address terminal. |
| 132 | A1 | | |
| 133 | A2 | | |
| 134 | A3 | | |
| 135 | STAT | I | SERVO-LSI control communication Status signal input terminal. |
| 136 | A4 | O | External program address terminal. |
| 137 | A5 | | |
| 138 | A6 | | |
| 139 | A7 | | |
| 140 | A8 | | |
| 141 | A9 | | |
| 142 | CVDD | - | Power supply terminal. (+1.6V) |
| 143 | A21 | O | External program address terminal. |
| 144 | DVSS | - | GND connect terminal. |

Exploded View (Cabinet) (1/2)




NOTE : The place of the connection of (L) as shown in (), is mentioned in the "Exploded View (Cabinet) (2/2)."

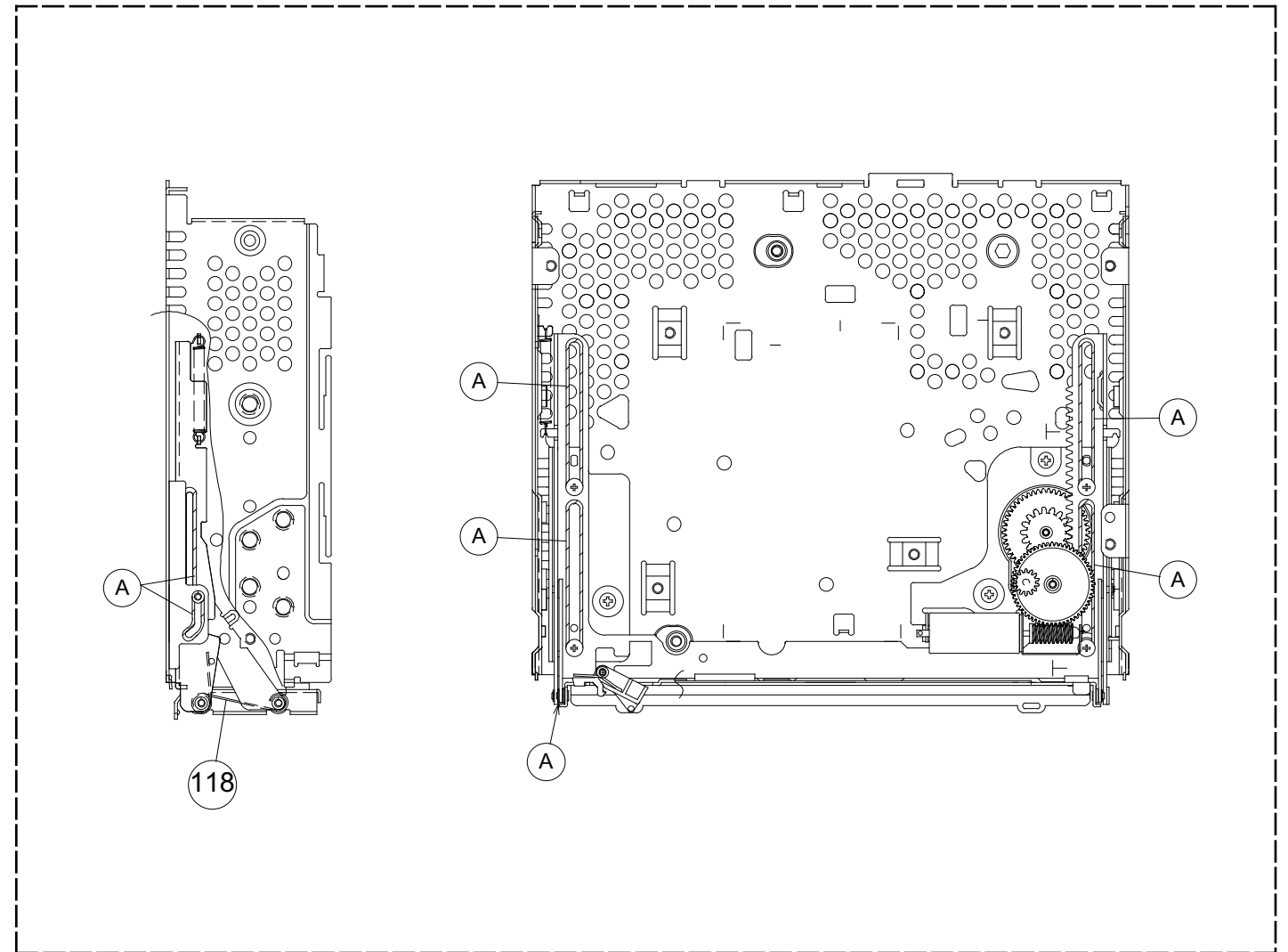
Exploded View (Cabinet) (2/2)



NOTE : The place of the connection of (L) as shown in (), is mentioned in the "Exploded View (Cabinet) (1/2)."

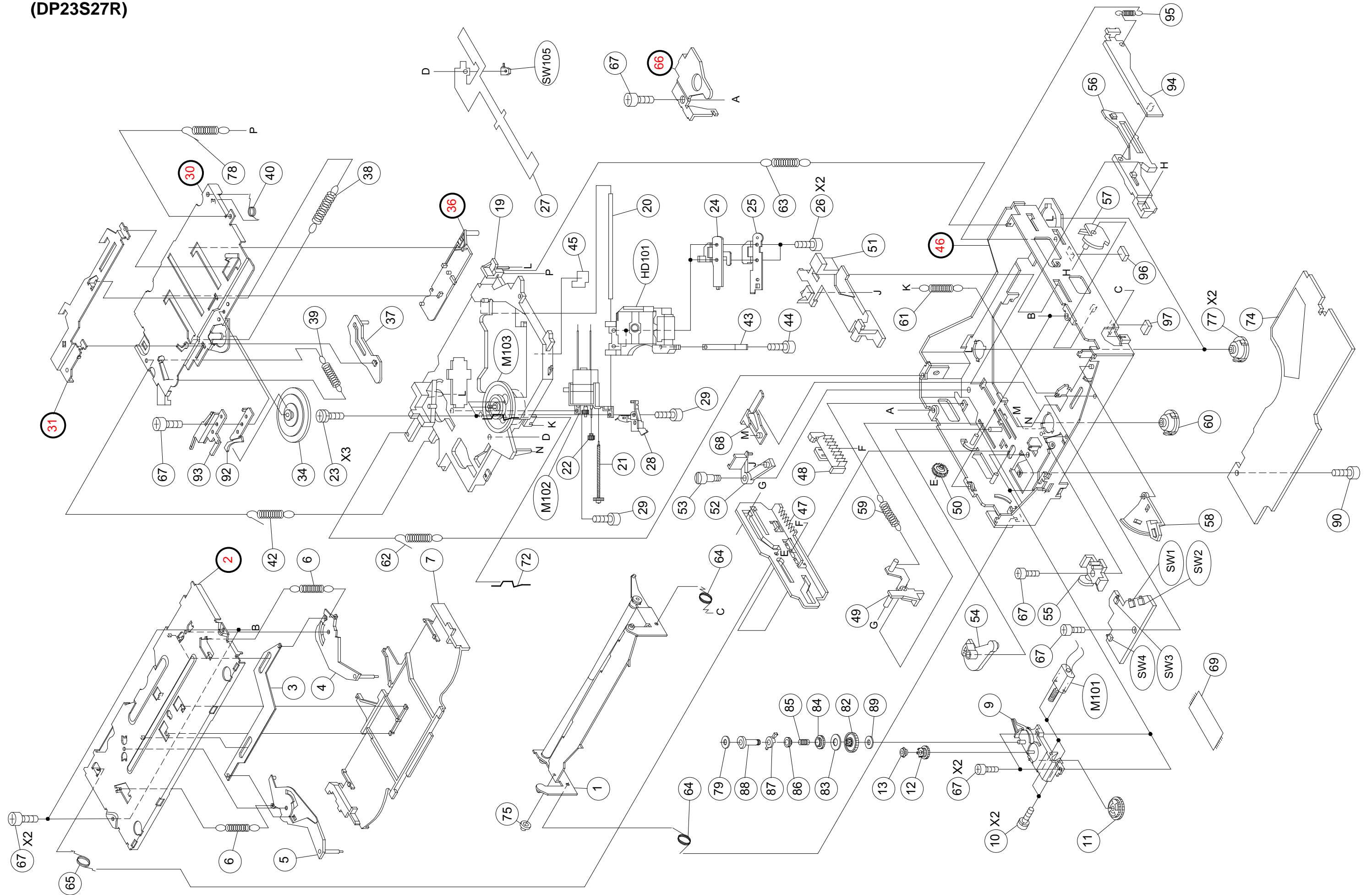
point of GREASE applied.

| | |
|-----|-------------------------------|
| (A) | GREASE,E-PAST (11S42419J09) |
| (B) | GREASE,G-8007 (11S41558Y01) |



Exploded View (CD Deck Mechanism)

(DP23S27R)



Cabinet Assembly Parts List

NOTE : The part that has not PART NUMBER will not be supplied.

| | | |
|-----|-------------|-----------------------|
| 1 | 01V74800Y49 | ASSY,NOSE UNIT 30RT |
| 2 | ----- | COVER, TOP |
| 3 | ----- | CHAS, BASE |
| 4 | 14B04105K01 | INS, MAIN(SWING) |
| 5 | 13B03464K01 | NOSE, BASE(CD) ASSY |
| 6 | 03S60822Y12 | SCR, S-T 2.6X6 ZN A |
| 7 | 13D02363K01 | NOSE, BASE COVER |
| 8 | 03S60822Y22 | SCR, S-T 2.6X14 ZN A |
| 9 | 03T25225Y01 | SCR, GND |
| 10 | 33C04102K01 | FACE, PLATE |
| 11 | 07D00749K01 | BKT, SIDE L |
| 12 | 07D00749K02 | BKT, SIDE R |
| 13 | ----- | HEAT, SINK(SWING) |
| 14 | ----- | HEAT, SINK(S) |
| 15 | 03S60825Y04 | SCR, B-T 3X8 ZN A |
| 16 | 81D70427Y01 | DP23S27R |
| 17 | ----- | BKT, MECH(CD) |
| 18 | 30T03013K10 | SMCD22X95BDX6(BL)M |
| 19 | 26A41622Y01 | SHIELD, PLATE(CD) |
| 21 | 36A04141K02 | KNOB, SLIDE |
| 22 | 09T84840F01 | LUG, STYLE 18MM |
| 24 | 15C03065K01 | CASE, SHIELD(A) |
| 25 | 15C03066K01 | CASE, SHIELD(B) |
| 26 | 14A03067K01 | INSULATOR, TUNER |
| 27 | ----- | BKT, CHAS REAR(SW) |
| 28 | ----- | BKT, IC |
| 29 | 14S31545Y16 | INS, CVR 59X8XT0.1 |
| 30 | 14S31545Y17 | INS, CVR 100X8XT0.1 |
| 33 | 15D01771K01 | CASE, LCD ASSY |
| 34 | 15B01769K01 | COVER, LCD |
| 35 | 26A01773K01 | REFLECTOR, SHEET |
| 36 | 75T03213K03 | RUBBER, ELECTRIC |
| 37 | 13C04079K02 | NOSE, PIECE ASSY(L) |
| 38 | 13D04103K01 | NOSE, BOTTOM |
| 39 | 03S68555F20 | SCR, WAVE M1.7X5 |
| 40 | 41A04158K01 | SPRING, KNOB |
| 41 | 36B04099K01 | KNOB, ROTARY ASSY |
| 42 | 03S94385F77 | SCR, NYLOK M1.7X3 |
| 43 | 03S60822Y10 | SCR, S-T 2.6X5 ZN A |
| 44 | 75T25010Y78 | CUSHION, SHLD10-1-20 |
| 45 | 75T65297Y12 | 65TS.SLDFOAM10-10-10 |
| 46 | 75T25010Y26 | CUSHION, SHLD5-5.5-20 |
| 100 | 07B02259K01 | BKT, SLIDER |
| 101 | 07A01754K01 | BKT, ARM(L) |
| 102 | 07A01754K02 | BKT, ARM(R) |
| 103 | 07A02260K02 | BKT, BASE L |
| 104 | 07C02261K02 | BKT, BASE R |
| 105 | 41A50048Y01 | SPRING, WORM |
| 106 | 44A02263K01 | GEAR, ID |
| 107 | 44A02262K01 | GEAR, SLIDER |
| 108 | 41A50060Y01 | SPRING, SLIDE |
| 109 | 01C01750K01 | BKT, FRONT BASE ASSY |

CDA-9830R

| | | |
|-----|-------------|--------------------|
| 110 | 03A20851Y02 | SCR,SLIDER |
| 111 | 44-01037Z01 | GEAR,CLUTCH ASSY |
| 112 | 44A01840K01 | GEAR,WORM |
| 113 | 03S94385F13 | SCR,NYLOK M2.6X3 |
| 114 | 03S60820Y06 | SCR,MCH 2X3.5 ZNNA |
| 115 | 03S68259F23 | SCR,P-LOCK M2X3 |
| 116 | 04B41345P54 | WASHER,LOCK |
| 117 | 43A50493Y01 | BUSH,SLIDER |
| 118 | 41A50492Y01 | SPRING,NOSE |
| 119 | 75S40755Y50 | CUS,RUB 18X4XT2 |

CD Deck Mechanism Assembly Parts List

NOTE : The part that has not PART NUMBER will not be supplied.

| | | |
|----|-------------|-----------------------|
| 1 | 01V31800Y79 | ASSY,ARM GUIDE |
| 2 | 27C11557Y02 | CHASSIS, TOP |
| 3 | 45B11564Y02 | LEVER, LINK-TOP |
| 4 | 45B11595Y02 | LEVER DISC(R) |
| 5 | 45B11596Y02 | LEVER, DISC(L) |
| 6 | 41B11613Y16 | SPRING, PULL |
| 7 | 15D50248Y02 | GUIDE, TOP-DPS2 |
| 9 | 07C50608Y01 | BKT, MOTOR LOAD-P |
| 10 | 03S40014G07 | SCR, MCH M2X4 |
| 11 | 44B11578Y02 | GEAR, (A) |
| 12 | 44B11579Y02 | GEAR, (B) |
| 13 | 44B11580Y02 | GEAR, (C) |
| 19 | 27D11602Y04 | CHASSIS, PICKUP |
| 20 | 47A11575Y01 | SHAFT, PICK |
| 21 | 01V28100Y59 | ASSY, SHAFT.SCREW |
| 22 | 44A70590W03 | GEAR, MIDDLE |
| 23 | 03S72235F96 | SCR, MCH M1.7X3.5(SW) |
| 24 | 07B30337Y02 | BKT, SPRING NUT |
| 25 | 41A11606Y02 | SPRING NUT |
| 26 | 03S94385F18 | SCR, NYLOK M2X3.5 |
| 27 | 84T01803K01 | PANEL, FPC CONT |
| 28 | 41B11566Y02 | SPRING, SHAFT |
| 29 | 03S70494F13 | SCR, P-TITE M2X6 BLK |
| 30 | ----- | ASSY, RIV ARM CLAMP |
| 31 | ----- | LEVER, LOCK |
| 34 | 43A70141Y02 | TABLE, CLAMPER |
| 36 | ----- | SLIDER, DISC |
| 37 | 45A11599Y02 | LEVER, ACTUATOR |
| 38 | 41B11613Y03 | SPRING, PULL |
| 39 | 41B11613Y05 | SPRING, LEV-ACT |
| 40 | 41A11609Y01 | SPRING, LEVER |
| 42 | 41B11613Y15 | SPRING, PULL |
| 43 | 41A11040Y02 | SPRING, SLED-HOE |
| 44 | 03S70494F52 | SCR, P-TITE M1.4X4.5 |
| 45 | 43A21240Y01 | SHEET, FPC PICK |
| 46 | ----- | ASSY, RIV CHAS BASE |
| 47 | 45B40510Y02 | SLIDER, LOAD |
| 48 | 44B40527Y02 | RACK |
| 49 | 45A11601Y02 | LEVER, TRIGER |
| 50 | 44B11581Y02 | GEAR, (D) |
| 51 | 45B11594Y02 | SLIDER, LOCK(L) |
| 52 | 45A11592Y02 | ARM, LOCK(L2) |
| 53 | 03A11574Y01 | SCREW, LOCK |
| 54 | 45B11591Y02 | ARM, LOCK(L1) |
| 55 | 07A50606Y01 | BKT, MOTOR WIRE-P |
| 56 | 45B11593Y02 | SLIDER, LOCK(R) |
| 57 | 45B11607Y02 | ARM, LOCK(R) |
| 58 | 45A11597Y02 | LEVER, SW |
| 59 | 41B11613Y04 | SPRING, TRIGER |
| 60 | 75C30466Y14 | DAMPER, DPS2 |
| 61 | 41B11613Y06 | SPRING, PULL |
| 62 | 41B11613Y07 | SPRING, PULL |

CDA-9830R

| | | |
|----|-------------|---------------------|
| 63 | 41B11613Y08 | SPRING,PULL |
| 64 | 41A40518Y01 | SPRING,ROL |
| 65 | 41A31894Y02 | SPRING,SLIDER |
| 66 | ----- | BKT,SP-TOP |
| 67 | 03A21791Y01 | SCREW,M2X3.5 S-TITE |
| 68 | 07B20905Y02 | BKT,FPC CONT |
| 69 | 30T15126W15 | WIRE,PC JOINT 7P |
| 72 | 41A21613Y02 | SPRING,SPINDLE |
| 74 | 14A21415Y02 | INS,CVR |
| 75 | 43A31443Y01 | ROLLER,ARM DISC (C) |
| 77 | 75C30466Y15 | DAMPER,DPS2 |
| 78 | 41B11613Y14 | SPLING,PULL |
| 79 | 04B41345P52 | WASH,1.6X3.5X0.25 |
| 82 | 44B40523Y02 | GEAR,BASE |
| 83 | 04A40528Y01 | WASHER,FELT |
| 84 | 44A40524Y02 | GEAR,CLUTCH |
| 85 | 41A40529Y01 | SPRING,CLUTCH |
| 86 | 44A40525Y02 | GEAR,PINION |
| 87 | 15A40526Y02 | HOLDER,CLUTCH |
| 88 | 43A41446Y02 | SLEEVE,CLUTCH |
| 89 | 04B41345P25 | WASH,L. 3.1X6X0.35 |
| 90 | 03S44205G99 | SCR,T-TITE M2X3 |
| 92 | 07A70119Y01 | BKT,CLAMPER |
| 93 | 41A70118Y01 | SPG,LEVER |
| 94 | 75A21286Y05 | CUSHION,PWB |

Electrical Parts List

* Each parts on P.W.Board are described in order of the reference number.

=====MAIN P.W.Board

| | | |
|-------|-------------|----------------------|
| BZ601 | 50T15447Y02 | BUZZER,PKM13EPY -R5 |
| C007 | 08S45676W80 | CAP,CER 223K-B1E -CP |
| C010 | 08S45676W85 | CAP,CER 104K-B1C -CP |
| C011 | 08S45676W89 | CAP,CER 473K-B1E -CP |
| C012 | 08S45677W60 | CAP,CER 102J-CH1H-CP |
| C014 | 08S45677W48 | CAP,CER.331J-CH1H-CP |
| C015 | 08S45676W65 | CAP,CER.222K-B1H -CP |
| C016 | 08S45677W36 | CAP,CER.101J-CH1H-CP |
| C017 | 08S65674Y05 | CAP,CER 105KX5R1C-CP |
| C018 | 08S45676W80 | CAP,CER 223K-B1E -CP |
| C019 | 08S45676W80 | CAP,CER 223K-B1E -CP |
| C020 | 08S45677W54 | CAP,CER 561J-CH1H-CP |
| C021 | 08S45676W80 | CAP,CER 223K-B1E -CP |
| C023 | 08S45677W22 | CAP,CER.27RJ-CH1H-CP |
| C024 | 08S45677W22 | CAP,CER.27RJ-CH1H-CP |
| C025 | 08S45676W65 | CAP,CER.222K-B1H -CP |
| C026 | 08S35349Y17 | CAP,CER 225K-B0J -CP |
| C027 | 08S45676W85 | CAP,CER 104K-B1C -CP |
| C028 | 08S45677W12 | CAP,CER.10RD-CH1H-CP |
| C029 | 08S45677W12 | CAP,CER.10RD-CH1H-CP |
| C031 | 08S35349Y08 | CAP,CER 102K-B1H -CP |
| C032 | 08S45676W80 | CAP,CER 223K-B1E -CP |
| C033 | 08S45677W60 | CAP,CER 102J-CH1H-CP |
| C035 | 08S45676W80 | CAP,CER 223K-B1E -CP |
| C036 | 08S45676W80 | CAP,CER 223K-B1E -CP |
| C040 | 08S45676W65 | CAP,CER.222K-B1H -CP |
| C041 | 08S45676W80 | CAP,CER 223K-B1E -CP |
| C042 | 08S45677W07 | CAP,CER.5R0C-CH1H-CP |
| C043 | 08S45677W07 | CAP,CER.5R0C-CH1H-CP |
| C044 | 08S45677W07 | CAP,CER.5R0C-CH1H-CP |
| C045 | 08S82122F32 | CAP,CER.62RJ-CH1H-CP |
| C046 | 08S82122F27 | CAP,CER.39RJ-CH1H-CP |
| C047 | 08S82122F19 | CAP,CER.18RJ-CH1H-CP |
| C101 | 08S45676W80 | CAP,CER 223K-B1E -CP |
| C107 | 08S45676W80 | CAP,CER 223K-B1E -CP |
| C201 | 08S45676W73 | CAP,CER.103K-B1H -CP |
| C202 | 08S65667Y01 | CAP,CER 224KX5R1C-CP |
| C203 | 08S35374W01 | CAP,CER 104K-B1E-CP |
| C204 | 08S65667Y01 | CAP,CER 224KX5R1C-CP |
| C205 | 08S65676Y03 | CAP,CER 225KX7R1C-CP |
| C206 | 08S65676Y03 | CAP,CER 225KX7R1C-CP |
| C207 | 08S45676W73 | CAP,CER.103K-B1H -CP |
| C208 | 08S45676W65 | CAP,CER.222K-B1H -CP |
| C209 | 08S45676W65 | CAP,CER.222K-B1H -CP |
| C210 | 08S65667Y01 | CAP,CER 224KX5R1C-CP |
| C211 | 08S65667Y01 | CAP,CER 224KX5R1C-CP |
| C212 | 08S65667Y01 | CAP,CER 224KX5R1C-CP |
| C213 | 08S65667Y01 | CAP,CER 224KX5R1C-CP |
| C214 | 08S45677W14 | CAP,CER.12RJ-CH1H-CP |
| C215 | 08S45677W14 | CAP,CER.12RJ-CH1H-CP |
| C216 | 08S65674Y05 | CAP,CER 105KX5R1C-CP |

CDA-9830R

| | | |
|------|-------------|----------------------|
| C217 | 08S45676W69 | CAP,CER.472K-B1H -CP |
| C218 | 08S45676W69 | CAP,CER.472K-B1H -CP |
| C219 | 08S45676W69 | CAP,CER.472K-B1H -CP |
| C220 | 08S45676W69 | CAP,CER.472K-B1H -CP |
| C225 | 08S45677W36 | CAP,CER.101J-CH1H-CP |
| C231 | 08S65674Y05 | CAP,CER 105KX5R1C-CP |
| C232 | 08S45677W25 | CAP,CER 36RJ-CH1H-CP |
| C233 | 08S65674Y05 | CAP,CER 105KX5R1C-CP |
| C266 | 08S65674Y05 | CAP,CER 105KX5R1C-CP |
| C267 | 08S65674Y05 | CAP,CER 105KX5R1C-CP |
| C271 | 08S65674Y05 | CAP,CER 105KX5R1C-CP |
| C272 | 08S65674Y05 | CAP,CER 105KX5R1C-CP |
| C280 | 08S65674Y05 | CAP,CER 105KX5R1C-CP |
| C281 | 08S65674Y05 | CAP,CER 105KX5R1C-CP |
| C282 | 08S65674Y05 | CAP,CER 105KX5R1C-CP |
| C283 | 08S65674Y05 | CAP,CER 105KX5R1C-CP |
| C301 | 08S65128F90 | CAP,CER 473K-B1H -CP |
| C302 | 08S65667Y01 | CAP,CER 224KX5R1C-CP |
| C303 | 08S45677W60 | CAP,CER 102J-CH1H-CP |
| C304 | 08S45677W16 | CAP,CER.15RJ-CH1H-CP |
| C305 | 08S45677W16 | CAP,CER.15RJ-CH1H-CP |
| C306 | 08S45677W16 | CAP,CER.15RJ-CH1H-CP |
| C307 | 08S45677W16 | CAP,CER.15RJ-CH1H-CP |
| C311 | 08S45677W24 | CAP,CER 33RJ-CH1H-CP |
| C312 | 08S45677W24 | CAP,CER 33RJ-CH1H-CP |
| C313 | 08S45677W24 | CAP,CER 33RJ-CH1H-CP |
| C314 | 08S45677W24 | CAP,CER 33RJ-CH1H-CP |
| C315 | 08S45677W24 | CAP,CER 33RJ-CH1H-CP |
| C316 | 08S45677W24 | CAP,CER 33RJ-CH1H-CP |
| C331 | 08T25628Y01 | CAP,TF 334M-1C -CP |
| C332 | 08T25628Y01 | CAP,TF 334M-1C -CP |
| C333 | 08T25628Y01 | CAP,TF 334M-1C -CP |
| C334 | 08T25628Y01 | CAP,TF 334M-1C -CP |
| C340 | 08S65676Y03 | CAP,CER 225KX7R1C-CP |
| C341 | 08S65676Y03 | CAP,CER 225KX7R1C-CP |
| C342 | 08S65676Y03 | CAP,CER 225KX7R1C-CP |
| C343 | 08S65676Y03 | CAP,CER 225KX7R1C-CP |
| C344 | 08S65676Y03 | CAP,CER 225KX7R1C-CP |
| C345 | 08S65676Y03 | CAP,CER 225KX7R1C-CP |
| C350 | 08S65676Y03 | CAP,CER 225KX7R1C-CP |
| C351 | 08S65676Y03 | CAP,CER 225KX7R1C-CP |
| C352 | 08S65676Y03 | CAP,CER 225KX7R1C-CP |
| C353 | 08S65676Y03 | CAP,CER 225KX7R1C-CP |
| C354 | 08S65676Y03 | CAP,CER 225KX7R1C-CP |
| C355 | 08S65676Y03 | CAP,CER 225KX7R1C-CP |
| C360 | 08T65463Y01 | CAP,CER 335K-B1A -CP |
| C361 | 08T65463Y01 | CAP,CER 335K-B1A -CP |
| C362 | 08T65463Y01 | CAP,CER 335K-B1A -CP |
| C363 | 08T65463Y01 | CAP,CER 335K-B1A -CP |
| C503 | 08S45676W80 | CAP,CER 223K-B1E -CP |
| C504 | 08S45677W22 | CAP,CER.27RJ-CH1H-CP |
| C505 | 08S45677W22 | CAP,CER.27RJ-CH1H-CP |
| C507 | 08S45677W36 | CAP,CER.101J-CH1H-CP |
| C509 | 08S45676W73 | CAP,CER.103K-B1H -CP |
| C510 | 08S45677W36 | CAP,CER.101J-CH1H-CP |
| C511 | 08S65676Y05 | CAP,CER 105KX7R1E-CP |
| C512 | 08S65669Y01 | CAP,CER 334KX7R1E-CP |

CDA-9830R

| | | |
|-------|-------------|----------------------|
| C513 | 08S45677W22 | CAP,CER.27RJ-CH1H-CP |
| C514 | 08S45676W85 | CAP,CER 104K-B1C -CP |
| C516 | 08S45676W80 | CAP,CER 223K-B1E -CP |
| C601 | 08S45676W80 | CAP,CER 223K-B1E -CP |
| C603 | 08S45676W65 | CAP,CER.222K-B1H -CP |
| C604 | 08S45676W85 | CAP,CER 104K-B1C -CP |
| C630 | 08S45676W85 | CAP,CER 104K-B1C -CP |
| C801 | 08S65128F78 | CAP,CER.223K-B1H -CP |
| C803 | 08S45676W80 | CAP,CER 223K-B1E -CP |
| C804 | 08S45676W80 | CAP,CER 223K-B1E -CP |
| C805 | 08S45676W80 | CAP,CER 223K-B1E -CP |
| C807 | 08S45676W80 | CAP,CER 223K-B1E -CP |
| C808 | 08S45676W80 | CAP,CER 223K-B1E -CP |
| C809 | 08S45676W80 | CAP,CER 223K-B1E -CP |
| C810 | 08S65128F88 | CAP,CER 104K-B1H -CP |
| C811 | 08S45676W85 | CAP,CER 104K-B1C -CP |
| C812 | 08T55390W34 | CAP,TF 274J-1H -R5 |
| C813 | 08S60102F40 | CAP,CER 224K-B1E -CP |
| C814 | 08S45676W85 | CAP,CER 104K-B1C -CP |
| C815 | 08S45676W89 | CAP,CER 473K-B1E -CP |
| C816 | 08S45676W73 | CAP,CER.103K-B1H -CP |
| C817 | 08S65676Y05 | CAP,CER 105KX7R1E-CP |
| C818 | 08S45539Y04 | CAP,CER 103KX7R2J-CP |
| C819 | 08S45539Y04 | CAP,CER 103KX7R2J-CP |
| C820 | 08S45539Y04 | CAP,CER 103KX7R2J-CP |
| C821 | 08S35374W01 | CAP,CER 104K-B1E-CP |
| C822 | 08S65128F78 | CAP,CER.223K-B1H -CP |
| C831 | 08S45676W80 | CAP,CER 223K-B1E -CP |
| C832 | 08S45676W80 | CAP,CER 223K-B1E -CP |
| C833 | 08S45676W80 | CAP,CER 223K-B1E -CP |
| C836 | 08S45676W80 | CAP,CER 223K-B1E -CP |
| C840 | 08S65674Y05 | CAP,CER 105KX5R1C-CP |
| C841 | 08S45676W80 | CAP,CER 223K-B1E -CP |
| C842 | 08S65674Y05 | CAP,CER 105KX5R1C-CP |
| C843 | 08S65674Y05 | CAP,CER 105KX5R1C-CP |
| CB002 | 09T03497K32 | BTB,52465-3291 -E9 |
| CB201 | 09T03498K03 | WTB,53253-0310 -DB |
| CB511 | 09T03492K15 | FFC,52271-1590 -ED |
| CB701 | 09T03498K09 | WTB,53253-0910 -DB |
| CB802 | 09T03498K02 | WTB,53253-0210 -DB |
| CB803 | 09T03498K03 | WTB,53253-0310 -DB |
| CB831 | 09T03498K02 | WTB,53253-0210 -DB |
| CH101 | 09T25261Y22 | FFC,SFW22R-1STE1 -EQ |
| D001 | 48T85357W01 | DIO,1PS226 -CP |
| D003 | 48T25665Y01 | DIO,1SS355-TE17 -CP |
| D004 | 48T25665Y01 | DIO,1SS355-TE17 -CP |
| D100 | 48T45701Y01 | DIO,MA2S728-TX -CP |
| D101 | 48T45701Y01 | DIO,MA2S728-TX -CP |
| D102 | 48T45701Y01 | DIO,MA2S728-TX -CP |
| D103 | 48T45701Y01 | DIO,MA2S728-TX -CP |
| D104 | 48T45701Y01 | DIO,MA2S728-TX -CP |
| D231 | 48T25665Y01 | DIO,1SS355-TE17 -CP |
| D301 | 48T85270W02 | DIO,MPG06G -H5 |
| D302 | 48T85270W02 | DIO,MPG06G -H5 |
| D303 | 48T85270W02 | DIO,MPG06G -H5 |
| D304 | 48T85270W02 | DIO,MPG06G -H5 |
| D305 | 48T85270W02 | DIO,MPG06G -H5 |

CDA-9830R

| | | | |
|------|-------------|----------------------|-----|
| D306 | 48T85270W02 | DIO,MPG06G | -H5 |
| D307 | 48T85270W02 | DIO,MPG06G | -H5 |
| D308 | 48T85270W02 | DIO,MPG06G | -H5 |
| D311 | 48T25651W01 | DIO,CP MA152WA | |
| D312 | 48T25651W01 | DIO,CP MA152WA | |
| D313 | 48T25651W01 | DIO,CP MA152WA | |
| D503 | 48T25665Y01 | DIO,1SS355-TE17 | -CP |
| D506 | 48T25665Y01 | DIO,1SS355-TE17 | -CP |
| D510 | 48T68828F11 | DIO,1SS133 -RH | |
| D513 | 48T25651W01 | DIO,CP MA152WA | |
| D514 | 48T25651W02 | DIO,MA152WK-TX | -CP |
| D601 | 48T25651W02 | DIO,MA152WK-TX | -CP |
| D802 | 48T25593Y01 | DIO,S1G-6904 | -E1 |
| D805 | 48T25593Y01 | DIO,S1G-6904 | -E1 |
| D811 | 48T25665Y01 | DIO,1SS355-TE17 | -CP |
| D831 | 48T81063F01 | DIO,CP.MA159 / TX-CP | |
| D854 | 48T25651W02 | DIO,MA152WK-TX | -CP |
| D855 | 48T25593Y01 | DIO,S1G-6904 | -E1 |
| D860 | 48T68828F11 | DIO,1SS133 -RH | |
| D900 | 48T95572W01 | DIO,SHT MA736-TX | -E1 |
| E001 | 23S45639Y07 | CAP,ELY 10R-1C | -R2 |
| E003 | 23S45639Y08 | CAP,ELY 22R-1C | -R2 |
| E004 | 23S45639Y05 | CAP,ELY 101-1A | -R2 |
| E006 | 23S45639Y08 | CAP,ELY 22R-1C | -R2 |
| E008 | 23S45639Y06 | CAP,ELY 221-1A | -R2 |
| E102 | 23S45639Y06 | CAP,ELY 221-1A | -R2 |
| E105 | 23S65134W23 | CAP,ELY 101-1A(6)-E6 | |
| E106 | 23S65134W65 | CAP,ELY 1R0-1H(3)-E2 | |
| E200 | 23S65134W72 | CAP,ELY 3R3-1H(4)-E2 | |
| E201 | 23S65134W72 | CAP,ELY 3R3-1H(4)-E2 | |
| E202 | 23S65134W72 | CAP,ELY 3R3-1H(4)-E2 | |
| E203 | 23S65134W72 | CAP,ELY 3R3-1H(4)-E2 | |
| E204 | 23S65134W12 | CAP,ELY 47R-0J(5)-E3 | |
| E205 | 23S65134W12 | CAP,ELY 47R-0J(5)-E3 | |
| E206 | 23S65134W12 | CAP,ELY 47R-0J(5)-E3 | |
| E207 | 23S65134W12 | CAP,ELY 47R-0J(5)-E3 | |
| E208 | 23S65134W72 | CAP,ELY 3R3-1H(4)-E2 | |
| E209 | 23S65134W72 | CAP,ELY 3R3-1H(4)-E2 | |
| E210 | 23S65134W41 | CAP,ELY 4R7-1E(3)-E2 | |
| E211 | 23S65134W41 | CAP,ELY 4R7-1E(3)-E2 | |
| E212 | 23S65134W12 | CAP,ELY 47R-0J(5)-E3 | |
| E213 | 23S65134W12 | CAP,ELY 47R-0J(5)-E3 | |
| E214 | 23S75372W03 | CAP,ELY 221-1A | -H2 |
| E215 | 23T95564W09 | CAP,FC 22R-1C-C | -E3 |
| E231 | 23S75372W11 | CAP,ELY R22-1H | -R2 |
| E232 | 23S75372W15 | CAP,ELY 1R0-1H | -R2 |
| E301 | 23S65134W65 | CAP,ELY 1R0-1H(3)-E2 | |
| E302 | 23S75372W11 | CAP,ELY R22-1H | -R2 |
| E303 | 23S75372W04 | CAP,ELY 10R-1C | -R2 |
| E304 | 23S95416W01 | CAP,ELY 331-1C | -R5 |
| E305 | 23S75372W15 | CAP,ELY 1R0-1H | -R2 |
| E306 | 23S95415W06 | CAP,ELY 101-1C | -R2 |
| E331 | 23S65134W31 | CAP,ELY 10R-1C(4)-E2 | |
| E332 | 23S65134W31 | CAP,ELY 10R-1C(4)-E2 | |
| E333 | 23S65134W31 | CAP,ELY 10R-1C(4)-E2 | |
| E334 | 23S65134W31 | CAP,ELY 10R-1C(4)-E2 | |
| E501 | 23S75372W03 | CAP,ELY 221-1A | -H2 |

CDA-9830R

| | | |
|-------|-------------|----------------------|
| E502 | 23S65134W81 | CAP,ELY 22R-1C(4)-E2 |
| E503 | 23S65134W34 | CAP,ELY 47R-1C(6)-E6 |
| E504 | 23S65134W34 | CAP,ELY 47R-1C(6)-E6 |
| E506 | 23S45639Y08 | CAP,ELY 22R-1C -R2 |
| E801 | 23T75346W03 | CAP,X-PRO 332-1C + |
| E802 | 23S45639Y09 | CAP,ELY 47R-1C -R2 |
| E803 | 23S95415W06 | CAP,ELY 101-1C -R2 |
| E804 | 23S95415W05 | CAP,ELY 47R-1C -R2 |
| E805 | 23T55378W03 | CAP,KMG 471-1A -R2 |
| E807 | 23S95415W06 | CAP,ELY 101-1C -R2 |
| E808 | 23T25139Y10 | CAP,PW 331-1C + |
| E809 | 23S95415W07 | CAP,ELY 221-1C -R2 |
| E821 | 23S75373W03 | CAP,ELY 22R-1C -R2 |
| E822 | 23S75372W05 | CAP,ELY 22R-1C -R2 |
| E832 | 23S75372W07 | CAP,ELY 47R-1C -R2 |
| E900 | 23S95415W07 | CAP,ELY 221-1C -R2 |
| F801 | 65T75477Y13 | FUSE,CCP2E 4.0A -CP |
| IC001 | 51T35566Y01 | MTP,D78F4216AGCXXXQT |
| IC002 | 51T15132Y02 | SAA6588T -SE9 |
| IC003 | 51T15731W10 | TC7S66F-TE85L -CP |
| IC101 | 51T15362Y01 | TC74HCT7007AFTP2-SE6 |
| IC102 | 51T55517Y02 | NJU7223DL1-33TE1-NE5 |
| IC104 | 51T15456Y01 | TC74HC4066AFT-EL-SE5 |
| IC201 | 51T45654Y02 | TC94A04AFD-015 -QT |
| IC202 | 51T93333F01 | NJM2904M-TE3 -SE2 |
| IC301 | 51T93340F02 | NJM2060V-TE2 -SE2 |
| IC302 | 51T55148Y01 | TA8273H -ZS |
| IC303 | 51T93340F02 | NJM2060V-TE2 -SE2 |
| IC332 | 51T15647Y01 | NJM4558V-TE2 -SE2 |
| IC501 | 51T75216Y02 | MTP,M30626FHPGPXXXQT |
| IC502 | 51T65778Y01 | BR24L02F-W-E2 -SE2 |
| IC504 | 51T25422Y02 | TC7W04FK-TE85L -CP |
| IC505 | 51T93332F01 | IC,NJM2903M-TE3 -SE2 |
| IC506 | 51T25045Y03 | AN7705SP-TX -NE5 |
| IC601 | 51T93532F05 | TC4S01F-TE85L -CP |
| IC602 | 51T65212Y01 | BA8275F-E2 -SE2 |
| IC801 | 51T45336Y01 | L5952 -ZS |
| IC802 | 51T75063Y11 | BD5233G-TR -CP |
| IC831 | 51T25448Y01 | BA6219BFP-Y-E2 -SE9 |
| JJ001 | 06S55362Y39 | RES,RK JUMPER 1/4-CP |
| L001 | 24T25164Y21 | IND,FSLM2520 4R7J-CP |
| L002 | 24T35286Y01 | IND,MG56 523J -DB |
| L003 | 24T45464Y02 | FBI,BLM18HG471SN1-CP |
| L004 | 24T45464Y02 | FBI,BLM18HG471SN1-CP |
| L005 | 24T16403W29 | COI,IND.15R-M -CP |
| L006 | 24T35401Y18 | IND,HK1608 R027J -CP |
| L007 | 24T35401Y20 | IND,HK1608 R039J -CP |
| L101 | 24T16271W13 | COIL,RCR875D-221K |
| L200 | 91T65112W06 | EMI,BK2125HM102 -CP |
| L201 | 91T65112W06 | EMI,BK2125HM102 -CP |
| L202 | 91T65112W06 | EMI,BK2125HM102 -CP |
| L203 | 06S55366Y39 | RES,RK JUMPER1/10-CP |
| L204 | 06S55366Y39 | RES,RK JUMPER1/10-CP |
| L205 | 06S55366Y39 | RES,RK JUMPER1/10-CP |
| L206 | 91T65112W06 | EMI,BK2125HM102 -CP |
| L207 | 91T65112W06 | EMI,BK2125HM102 -CP |
| L900 | 24T16271W21 | IND,RCR-875D 102K + |

CDA-9830R

| | | |
|-------|-------------|----------------------|
| LD601 | 48T65477W05 | LED,SML-010DTT87 -CP |
| LD602 | 48T65477W05 | LED,SML-010DTT87 -CP |
| PS801 | 48T95226W01 | TMT,PTGL05BA1R8M1-R5 |
| Q001 | 48T52437F05 | TR ,2SB709A-S /TX-CP |
| Q002 | 48T64221F13 | TR,UN211H-TX -CP |
| Q005 | 48T45594W16 | TR,XN1A311-TX -CP |
| Q006 | 48T64222F01 | TR ,UN2211 10-10 -TX |
| Q008 | 48T64222F02 | TR ,UN2212 22-22 -TX |
| Q101 | 48T45594W16 | TR,XN1A311-TX -CP |
| Q102 | 48T45594W16 | TR,XN1A311-TX -CP |
| Q103 | 48T84366F04 | TR,2SB1243-QR-TV2-RD |
| Q104 | 48T62967F05 | TR,DTC143XKA-T146-CP |
| Q201 | 48T45594W08 | TR ,XN1212 -TX-CP |
| Q304 | 48T64222F01 | TR ,UN2211 10-10 -TX |
| Q311 | 48T25317Y01 | TR,XN0F256-TX -CP |
| Q312 | 48T25317Y01 | TR,XN0F256-TX -CP |
| Q313 | 48T25317Y01 | TR,XN0F256-TX -CP |
| Q501 | 48T45594W12 | TR ,XN1A312 -TX-CP |
| Q502 | 48T93828F04 | TR,2SD1994A-S-TA -RD |
| Q503 | 48T93828F04 | TR,2SD1994A-S-TA -RD |
| Q505 | 48T52437F01 | TR ,2SB709A-QR/TX-CP |
| Q506 | 48T64221F02 | TR ,UN2112 22-22 -TX |
| Q507 | 48T52438F01 | TR ,2SD601A-RS/TX-CP |
| Q601 | 48T64222F01 | TR ,UN2211 10-10 -TX |
| Q602 | 48T52437F05 | TR ,2SB709A-S /TX-CP |
| Q603 | 48T64222F02 | TR ,UN2212 22-22 -TX |
| Q604 | 48T65619Y01 | FET,HN1K06FU-85L -CP |
| Q606 | 48T64222F01 | TR ,UN2211 10-10 -TX |
| Q803 | 48T84366F04 | TR,2SB1243-QR-TV2-RD |
| Q804 | 48T62967F05 | TR,DTC143XKA-T146-CP |
| Q807 | 48T93828F04 | TR,2SD1994A-S-TA -RD |
| Q808 | 48T93828F04 | TR,2SD1994A-S-TA -RD |
| Q809 | 48T45594W12 | TR ,XN1A312 -TX-CP |
| Q812 | 48T73023F01 | TR ,2SD874A -E2 |
| Q813 | 48T45594W12 | TR ,XN1A312 -TX-CP |
| Q815 | 48T45594W16 | TR,XN1A311-TX -CP |
| Q817 | 48T45594W12 | TR ,XN1A312 -TX-CP |
| Q821 | 48T45594W12 | TR ,XN1A312 -TX-CP |
| Q825 | 48T45594W12 | TR ,XN1A312 -TX-CP |
| Q826 | 48T92368F04 | TR,2SD1760 R -E5 |
| Q841 | 48T64221F11 | TR,UN211L-TX -CP |
| Q844 | 48T64222F02 | TR ,UN2212 22-22 -TX |
| Q872 | 48T45594W12 | TR ,XN1A312 -TX-CP |
| Q894 | 48T64222F02 | TR ,UN2212 22-22 -TX |
| Q901 | 48T45594W16 | TR,XN1A311-TX -CP |
| R001 | 06S70072F05 | RES,CP .10R-J-1/4-CP |
| R002 | 06S55366Y06 | RES,RK 473J 1/10 -CP |
| R003 | 06S55365Y77 | RES,RK 332J 1/10 -CP |
| R004 | 06S55361Y69 | RES,RK 152J 1/4 -CP |
| R005 | 06S55361Y49 | RES,RK 221J 1/4 -CP |
| R008 | 06S55365Y41 | RES,RK 101J 1/10 -CP |
| R009 | 06S55365Y41 | RES,RK 101J 1/10 -CP |
| R010 | 06S55366Y14 | RES,RK 104J 1/10 -CP |
| R011 | 06S55366Y30 | RES,RK 474J 1/10 -CP |
| R012 | 06S55366Y02 | RES,RK 333J 1/10 -CP |
| R013 | 06S55365Y98 | RES,RK 243J 1/10 -CP |
| R014 | 06S55366Y39 | RES,RK JUMPER1/10-CP |

| | | |
|------|-------------|----------------------|
| R015 | 06S55365Y89 | RES,RK 103J 1/10 -CP |
| R016 | 06S55365Y89 | RES,RK 103J 1/10 -CP |
| R017 | 06S55365Y65 | RES,RK 102J 1/10 -CP |
| R018 | 06S55365Y65 | RES,RK 102J 1/10 -CP |
| R019 | 06S55365Y51 | RES,RK 271J 1/10 -CP |
| R020 | 06S55365Y51 | RES,RK 271J 1/10 -CP |
| R021 | 06S55365Y81 | RES,RK 472J 1/10 -CP |
| R022 | 06S55366Y30 | RES,RK 474J 1/10 -CP |
| R023 | 06S55366Y06 | RES,RK 473J 1/10 -CP |
| R024 | 06S55366Y06 | RES,RK 473J 1/10 -CP |
| R027 | 06S55365Y89 | RES,RK 103J 1/10 -CP |
| R028 | 06S55365Y89 | RES,RK 103J 1/10 -CP |
| R029 | 06S55366Y39 | RES,RK JUMPER1/10-CP |
| R030 | 06S55366Y06 | RES,RK 473J 1/10 -CP |
| R031 | 06S55365Y65 | RES,RK 102J 1/10 -CP |
| R032 | 06S55365Y65 | RES,RK 102J 1/10 -CP |
| R033 | 06S55365Y65 | RES,RK 102J 1/10 -CP |
| R035 | 06S55365Y89 | RES,RK 103J 1/10 -CP |
| R036 | 06S55366Y06 | RES,RK 473J 1/10 -CP |
| R037 | 06S55365Y65 | RES,RK 102J 1/10 -CP |
| R038 | 06S55365Y89 | RES,RK 103J 1/10 -CP |
| R039 | 06S55365Y65 | RES,RK 102J 1/10 -CP |
| R042 | 06S55366Y14 | RES,RK 104J 1/10 -CP |
| R043 | 06S55365Y65 | RES,RK 102J 1/10 -CP |
| R044 | 06S55365Y65 | RES,RK 102J 1/10 -CP |
| R045 | 06S55365Y65 | RES,RK 102J 1/10 -CP |
| R046 | 06S55365Y81 | RES,RK 472J 1/10 -CP |
| R101 | 06S55366Y06 | RES,RK 473J 1/10 -CP |
| R102 | 06S55365Y89 | RES,RK 103J 1/10 -CP |
| R103 | 06S55366Y06 | RES,RK 473J 1/10 -CP |
| R104 | 06S55364Y39 | RES,RK JUMPER 1/8-CP |
| R105 | 06S55366Y06 | RES,RK 473J 1/10 -CP |
| R106 | 06S55366Y02 | RES,RK 333J 1/10 -CP |
| R107 | 06S55366Y06 | RES,RK 473J 1/10 -CP |
| R108 | 06S55366Y06 | RES,RK 473J 1/10 -CP |
| R109 | 06S55365Y89 | RES,RK 103J 1/10 -CP |
| R110 | 06S55366Y08 | RES,RK 563J 1/10 -CP |
| R111 | 06S55365Y51 | RES,RK 271J 1/10 -CP |
| R200 | 06S55365Y50 | RES,RK 241J 1/10 -CP |
| R201 | 06S55365Y50 | RES,RK 241J 1/10 -CP |
| R206 | 06S55365Y53 | RES,RK 331J 1/10 -CP |
| R207 | 06S55365Y53 | RES,RK 331J 1/10 -CP |
| R208 | 06S55366Y38 | RES,RK 105J 1/10 -CP |
| R209 | 06S55365Y65 | RES,RK 102J 1/10 -CP |
| R210 | 06S55365Y65 | RES,RK 102J 1/10 -CP |
| R211 | 06S55365Y65 | RES,RK 102J 1/10 -CP |
| R212 | 06S55365Y65 | RES,RK 102J 1/10 -CP |
| R213 | 06S55365Y65 | RES,RK 102J 1/10 -CP |
| R214 | 06S55366Y06 | RES,RK 473J 1/10 -CP |
| R215 | 06S55366Y06 | RES,RK 473J 1/10 -CP |
| R216 | 06S55365Y65 | RES,RK 102J 1/10 -CP |
| R217 | 06S55365Y65 | RES,RK 102J 1/10 -CP |
| R218 | 06S55365Y66 | RES,RK 112J 1/10 -CP |
| R219 | 06S55365Y66 | RES,RK 112J 1/10 -CP |
| R231 | 06S55365Y91 | RES,RK 123J 1/10 -CP |
| R232 | 06S55365Y97 | RES,RK 223J 1/10 -CP |
| R233 | 06S55366Y39 | RES,RK JUMPER1/10-CP |

| | | |
|------|-------------|----------------------|
| R234 | 06S55366Y30 | RES,RK 474J 1/10 -CP |
| R235 | 06S55366Y20 | RES,RK 184J 1/10 -CP |
| R301 | 06S55365Y53 | RES,RK 331J 1/10 -CP |
| R302 | 06S55365Y89 | RES,RK 103J 1/10 -CP |
| R303 | 06S55365Y97 | RES,RK 223J 1/10 -CP |
| R304 | 06S55365Y97 | RES,RK 223J 1/10 -CP |
| R305 | 06S55365Y97 | RES,RK 223J 1/10 -CP |
| R306 | 06S55365Y97 | RES,RK 223J 1/10 -CP |
| R310 | 06S55366Y11 | RES,RK 753J 1/10 -CP |
| R311 | 06S55366Y11 | RES,RK 753J 1/10 -CP |
| R314 | 06S55365Y95 | RES,RK 183J 1/10 -CP |
| R315 | 06S55365Y95 | RES,RK 183J 1/10 -CP |
| R316 | 06S55365Y97 | RES,RK 223J 1/10 -CP |
| R317 | 06S55365Y97 | RES,RK 223J 1/10 -CP |
| R318 | 06S55366Y11 | RES,RK 753J 1/10 -CP |
| R319 | 06S55366Y11 | RES,RK 753J 1/10 -CP |
| R322 | 06S55365Y95 | RES,RK 183J 1/10 -CP |
| R323 | 06S55365Y95 | RES,RK 183J 1/10 -CP |
| R324 | 06S55365Y97 | RES,RK 223J 1/10 -CP |
| R325 | 06S55365Y97 | RES,RK 223J 1/10 -CP |
| R326 | 06S55366Y14 | RES,RK 104J 1/10 -CP |
| R327 | 06S55366Y14 | RES,RK 104J 1/10 -CP |
| R330 | 06S55365Y95 | RES,RK 183J 1/10 -CP |
| R331 | 06S55365Y95 | RES,RK 183J 1/10 -CP |
| R332 | 06S55365Y97 | RES,RK 223J 1/10 -CP |
| R333 | 06S55365Y97 | RES,RK 223J 1/10 -CP |
| R334 | 06S55365Y95 | RES,RK 183J 1/10 -CP |
| R335 | 06S55365Y95 | RES,RK 183J 1/10 -CP |
| R336 | 06S55365Y95 | RES,RK 183J 1/10 -CP |
| R337 | 06S55365Y95 | RES,RK 183J 1/10 -CP |
| R351 | 06S55366Y05 | RES,RK 433J 1/10 -CP |
| R352 | 06S55366Y05 | RES,RK 433J 1/10 -CP |
| R353 | 06S55363Y49 | RES,RK 221J 1/8 -CP |
| R354 | 06S55363Y49 | RES,RK 221J 1/8 -CP |
| R355 | 06S55363Y41 | RES,RK 101J 1/8 -CP |
| R356 | 06S55363Y41 | RES,RK 101J 1/8 -CP |
| R361 | 06S55366Y05 | RES,RK 433J 1/10 -CP |
| R362 | 06S55366Y05 | RES,RK 433J 1/10 -CP |
| R363 | 06S55363Y49 | RES,RK 221J 1/8 -CP |
| R364 | 06S55363Y49 | RES,RK 221J 1/8 -CP |
| R365 | 06S55363Y41 | RES,RK 101J 1/8 -CP |
| R366 | 06S55363Y41 | RES,RK 101J 1/8 -CP |
| R370 | 06S55365Y65 | RES,RK 102J 1/10 -CP |
| R371 | 06S55366Y05 | RES,RK 433J 1/10 -CP |
| R372 | 06S55366Y05 | RES,RK 433J 1/10 -CP |
| R373 | 06S55363Y49 | RES,RK 221J 1/8 -CP |
| R374 | 06S55363Y49 | RES,RK 221J 1/8 -CP |
| R375 | 06S55363Y41 | RES,RK 101J 1/8 -CP |
| R376 | 06S55363Y41 | RES,RK 101J 1/8 -CP |
| R390 | 06S55366Y25 | RES,RK 304J 1/10 -CP |
| R500 | 06S55363Y53 | RES,RK 331J 1/8 -CP |
| R501 | 06S55363Y53 | RES,RK 331J 1/8 -CP |
| R502 | 06S55363Y65 | RES,RK 102J 1/8 -CP |
| R503 | 06S55363Y59 | RES,RK 561J 1/8 -CP |
| R504 | 06S55363Y53 | RES,RK 331J 1/8 -CP |
| R505 | 06S55363Y65 | RES,RK 102J 1/8 -CP |
| R506 | 06S55363Y65 | RES,RK 102J 1/8 -CP |

| | | |
|------|-------------|----------------------|
| R507 | 06S55363Y65 | RES,RK 102J 1/8 -CP |
| R508 | 06S55365Y97 | RES,RK 223J 1/10 -CP |
| R509 | 06S55365Y97 | RES,RK 223J 1/10 -CP |
| R510 | 06S55365Y81 | RES,RK 472J 1/10 -CP |
| R511 | 06S55363Y65 | RES,RK 102J 1/8 -CP |
| R512 | 06S55365Y89 | RES,RK 103J 1/10 -CP |
| R513 | 06S55363Y89 | RES,RK 103J 1/8 -CP |
| R514 | 06S55365Y81 | RES,RK 472J 1/10 -CP |
| R515 | 06S55365Y67 | RES,RK 122J 1/10 -CP |
| R516 | 06S55361Y17 | RES,RK 10RJ 1/4 -CP |
| R517 | 06S55365Y89 | RES,RK 103J 1/10 -CP |
| R518 | 06S55361Y31 | RES,RK 39RJ 1/4 -CP |
| R519 | 06S55361Y31 | RES,RK 39RJ 1/4 -CP |
| R520 | 06S55365Y73 | RES,RK 222J 1/10 -CP |
| R521 | 06S55365Y69 | RES,RK 152J 1/10 -CP |
| R522 | 06S55365Y85 | RES,RK 682J 1/10 -CP |
| R523 | 06S55366Y06 | RES,RK 473J 1/10 -CP |
| R524 | 06S55366Y39 | RES,RK JUMPER1/10-CP |
| R525 | 06S55365Y65 | RES,RK 102J 1/10 -CP |
| R526 | 06S55361Y31 | RES,RK 39RJ 1/4 -CP |
| R527 | 06S55366Y30 | RES,RK 474J 1/10 -CP |
| R528 | 06S55365Y65 | RES,RK 102J 1/10 -CP |
| R529 | 06S55365Y77 | RES,RK 332J 1/10 -CP |
| R530 | 06S55365Y53 | RES,RK 331J 1/10 -CP |
| R531 | 06S55366Y06 | RES,RK 473J 1/10 -CP |
| R532 | 06S55365Y53 | RES,RK 331J 1/10 -CP |
| R533 | 06S55363Y75 | RES,RK 272J 1/8 -CP |
| R534 | 06S55366Y39 | RES,RK JUMPER1/10-CP |
| R535 | 06S55365Y65 | RES,RK 102J 1/10 -CP |
| R536 | 06S55365Y41 | RES,RK 101J 1/10 -CP |
| R538 | 06S55365Y65 | RES,RK 102J 1/10 -CP |
| R539 | 06S55366Y06 | RES,RK 473J 1/10 -CP |
| R540 | 06S55365Y97 | RES,RK 223J 1/10 -CP |
| R541 | 06S55365Y41 | RES,RK 101J 1/10 -CP |
| R542 | 06S55361Y01 | RES,RK 2R2J 1/4 -CP |
| R543 | 06S15593Y77 | RES,RK 153F 1/10 -CP |
| R545 | 06S55365Y97 | RES,RK 223J 1/10 -CP |
| R546 | 06S55365Y97 | RES,RK 223J 1/10 -CP |
| R547 | 06S55366Y06 | RES,RK 473J 1/10 -CP |
| R550 | 06S55366Y39 | RES,RK JUMPER1/10-CP |
| R551 | 06S55365Y97 | RES,RK 223J 1/10 -CP |
| R552 | 06S55366Y39 | RES,RK JUMPER1/10-CP |
| R553 | 06S55365Y65 | RES,RK 102J 1/10 -CP |
| R554 | 06S55365Y57 | RES,RK 471J 1/10 -CP |
| R555 | 06S55365Y57 | RES,RK 471J 1/10 -CP |
| R558 | 06S55365Y65 | RES,RK 102J 1/10 -CP |
| R559 | 06S55365Y89 | RES,RK 103J 1/10 -CP |
| R560 | 06S55365Y97 | RES,RK 223J 1/10 -CP |
| R562 | 06S55365Y65 | RES,RK 102J 1/10 -CP |
| R563 | 06S55361Y01 | RES,RK 2R2J 1/4 -CP |
| R564 | 06S55365Y53 | RES,RK 331J 1/10 -CP |
| R566 | 06S55365Y53 | RES,RK 331J 1/10 -CP |
| R567 | 06S55365Y53 | RES,RK 331J 1/10 -CP |
| R568 | 06S55365Y65 | RES,RK 102J 1/10 -CP |
| R569 | 06S55365Y65 | RES,RK 102J 1/10 -CP |
| R573 | 06S55361Y61 | RES,RK 681J 1/4 -CP |
| R574 | 06S55365Y97 | RES,RK 223J 1/10 -CP |

CDA-9830R

| | | |
|------|-------------|----------------------|
| R576 | 06S55366Y39 | RES,RK JUMPER1/10-CP |
| R593 | 06S55366Y39 | RES,RK JUMPER1/10-CP |
| R594 | 06S55365Y97 | RES,RK 223J 1/10 -CP |
| R595 | 06S55361Y49 | RES,RK 221J 1/4 -CP |
| R596 | 06S55365Y53 | RES,RK 331J 1/10 -CP |
| R597 | 06S55365Y53 | RES,RK 331J 1/10 -CP |
| R598 | 06S55361Y31 | RES,RK 39RJ 1/4 -CP |
| R599 | 06S55365Y85 | RES,RK 682J 1/10 -CP |
| R600 | 06S55365Y89 | RES,RK 103J 1/10 -CP |
| R601 | 06S55365Y89 | RES,RK 103J 1/10 -CP |
| R602 | 06S55361Y56 | RES,RK 431J 1/4 -CP |
| R603 | 06S55365Y69 | RES,RK 152J 1/10 -CP |
| R604 | 06S55365Y73 | RES,RK 222J 1/10 -CP |
| R605 | 06S55361Y65 | RES,RK 102J 1/4 -CP |
| R606 | 06S55363Y89 | RES,RK 103J 1/8 -CP |
| R611 | 06S55366Y06 | RES,RK 473J 1/10 -CP |
| R612 | 06S55366Y06 | RES,RK 473J 1/10 -CP |
| R615 | 06S55365Y83 | RES,RK 562J 1/10 -CP |
| R616 | 06S55365Y83 | RES,RK 562J 1/10 -CP |
| R618 | 06S55365Y65 | RES,RK 102J 1/10 -CP |
| R619 | 06S55365Y65 | RES,RK 102J 1/10 -CP |
| R621 | 06S55365Y97 | RES,RK 223J 1/10 -CP |
| R622 | 06S55366Y30 | RES,RK 474J 1/10 -CP |
| R623 | 06S55365Y97 | RES,RK 223J 1/10 -CP |
| R624 | 06S55365Y77 | RES,RK 332J 1/10 -CP |
| R625 | 06S55365Y73 | RES,RK 222J 1/10 -CP |
| R626 | 06S55361Y41 | RES,RK 101J 1/4 -CP |
| R630 | 06S55361Y57 | RES,RK 471J 1/4 -CP |
| R631 | 06S55361Y57 | RES,RK 471J 1/4 -CP |
| R632 | 06S55365Y81 | RES,RK 472J 1/10 -CP |
| R633 | 06S55365Y81 | RES,RK 472J 1/10 -CP |
| R802 | 06S55362Y39 | RES,RK JUMPER 1/4-CP |
| R803 | 06S55361Y89 | RES,RK 103J 1/4 -CP |
| R808 | 06S15593Y63 | RES,RK 392F 1/10 -CP |
| R809 | 06S15593Y83 | RES,RK 273F 1/10 -CP |
| R810 | 06S55361Y81 | RES,RK 472J 1/4 -CP |
| R812 | 06S55361Y81 | RES,RK 472J 1/4 -CP |
| R814 | 06S55361Y01 | RES,RK 2R2J 1/4 -CP |
| R815 | 06S55361Y01 | RES,RK 2R2J 1/4 -CP |
| R816 | 06S55361Y55 | RES,RK 391J 1/4 -CP |
| R817 | 06S55361Y41 | RES,RK 101J 1/4 -CP |
| R823 | 06S55361Y56 | RES,RK 431J 1/4 -CP |
| R825 | 06S55361Y01 | RES,RK 2R2J 1/4 -CP |
| R826 | 06S55365Y01 | RES,RK 2R2J 1/10 -CP |
| R827 | 06S55361Y53 | RES,RK 331J 1/4 -CP |
| R829 | 06S55366Y06 | RES,RK 473J 1/10 -CP |
| R834 | 06S55361Y29 | RES,RK 33RJ 1/4 -CP |
| R835 | 06S55361Y29 | RES,RK 33RJ 1/4 -CP |
| R836 | 06S55361Y29 | RES,RK 33RJ 1/4 -CP |
| R837 | 06S55361Y29 | RES,RK 33RJ 1/4 -CP |
| R838 | 06S55361Y29 | RES,RK 33RJ 1/4 -CP |
| R839 | 06S55361Y29 | RES,RK 33RJ 1/4 -CP |
| R840 | 06S55365Y97 | RES,RK 223J 1/10 -CP |
| R841 | 06S55366Y06 | RES,RK 473J 1/10 -CP |
| R842 | 06S55361Y89 | RES,RK 103J 1/4 -CP |
| R843 | 06S55365Y97 | RES,RK 223J 1/10 -CP |
| R846 | 06S55365Y97 | RES,RK 223J 1/10 -CP |

| | | |
|-------|-------------|----------------------|
| R849 | 06S55365Y97 | RES,RK 223J 1/10 -CP |
| R850 | 06S45348Y31 | RES,RK 224F 1/4 -CP |
| R851 | 06S55366Y04 | RES,RK 393J 1/10 -CP |
| R852 | 06S55365Y41 | RES,RK 101J 1/10 -CP |
| R853 | 06S55365Y41 | RES,RK 101J 1/10 -CP |
| R854 | 06S55361Y98 | RES,RK 243J 1/4 -CP |
| R855 | 06S55361Y69 | RES,RK 152J 1/4 -CP |
| R856 | 06S55361Y69 | RES,RK 152J 1/4 -CP |
| R868 | 06S55361Y51 | RES,RK 271J 1/4 -CP |
| R869 | 06S55361Y51 | RES,RK 271J 1/4 -CP |
| R875 | 06S55365Y89 | RES,RK 103J 1/10 -CP |
| R899 | 06S55365Y89 | RES,RK 103J 1/10 -CP |
| R900 | 06S55361Y89 | RES,RK 103J 1/4 -CP |
| RA001 | 06S45591W16 | RES,ARY MNR223J 4-CP |
| RA002 | 06S45591W07 | RES,ARY MNR101J 4-CP |
| SA001 | 48T81048F02 | PTT,DSP-201M -RD |
| SD800 | 48T68580F02 | DIO,SI DSA3A4-15 |
| TH501 | 48T25250Y01 | TMT,ERTJ1VV104J -CP |
| XL001 | 91T25806W18 | XTL,4.332M -AT51-TP |
| XL002 | 91T55217Y03 | XTL,NX8045GB 12.2-E5 |
| XL502 | 91T55360Y06 | XTL,6M-AT51-TP |
| XL503 | 91T55274Y01 | XTL,NX5032GA 33.8-E2 |
| Z001 | 91T45556Y06 | EMI,NFM21HC102R1H-CP |
| Z002 | 91T15509Y08 | EMI,BK1608HM102 -CP |
| Z003 | 91T15509Y08 | EMI,BK1608HM102 -CP |
| Z501 | 91T15509Y08 | EMI,BK1608HM102 -CP |
| Z801 | 91T15509Y08 | EMI,BK1608HM102 -CP |
| ZD501 | 48T25766W24 | DIO,ZEN.HZS 9C1L -R5 |
| ZD801 | 48T25766W30 | DIO,ZEN.HZS11B1L -R5 |
| ZD802 | 48T25766W39 | DIO,ZEN.HZS12B1L -R5 |
| ZD803 | 48T62934F14 | DIO,ZEN.RD4.3MB3 -CP |
| ZD804 | 48T62934F29 | DIO,ZEN.RD6.8MB3 -CP |
| ZD821 | 48T25766W38 | DIO,ZEN.HZS12A3L -R5 |

=====FRONT P.W.Board

| | | |
|------|-------------|----------------------|
| C404 | 08S45676W73 | CAP,CER.103K-B1H -CP |
| C405 | 08S53332F62 | CAP,CP .473-K-B -CP |
| C406 | 08S45676W89 | CAP,CER 473K-B1E -CP |
| C407 | 08S45676W89 | CAP,CER 473K-B1E -CP |
| C408 | 08S45677W56 | CAP,CER 681J-CH1H-CP |
| C409 | 08S65676Y02 | CAP,CER 475KX7R1A-CP |
| C410 | 08S45677W36 | CAP,CER.101J-CH1H-CP |
| C411 | 08S45676W64 | CAP,CER.182K-B1H -CP |
| C412 | 08S45676W64 | CAP,CER.182K-B1H -CP |
| C413 | 08S45676W64 | CAP,CER.182K-B1H -CP |
| C414 | 08S45676W64 | CAP,CER.182K-B1H -CP |
| C417 | 08S45676W80 | CAP,CER 223K-B1E -CP |
| C418 | 08S45676W89 | CAP,CER 473K-B1E -CP |
| C420 | 08S45677W36 | CAP,CER.101J-CH1H-CP |
| C423 | 08S45676W80 | CAP,CER 223K-B1E -CP |
| D401 | 48T81063F01 | DIO,CP.MA159 / TX-CP |
| D402 | 48T94471F04 | DIO,IMN10-T108 -CP |
| D405 | 48T85357W01 | DIO,1PS226 -CP |
| D406 | 48T85357W01 | DIO,1PS226 -CP |
| D407 | 48T85357W01 | DIO,1PS226 -CP |
| D408 | 48T85357W01 | DIO,1PS226 -CP |
| D409 | 48T85357W01 | DIO,1PS226 -CP |

CDA-9830R

| | | | |
|-------|-------------|----------------------|------|
| D410 | 48T85357W01 | DIO,1PS226 | -CP |
| D411 | 48T85357W01 | DIO,1PS226 | -CP |
| IC401 | 51T02347K01 | PT6583LQ | -QT |
| IC403 | 51T55628Y01 | RS-671 | -NE2 |
| IC404 | 51T55235Y01 | TC74VHC595FT-EL | -SE5 |
| LD401 | 48T25534Y02 | LED,RED BR1111C | -CP |
| LD402 | 48T25534Y02 | LED,RED BR1111C | -CP |
| LD403 | 48T25534Y01 | LED,GRN BG1111C | -CP |
| LD404 | 48T25534Y01 | LED,GRN BG1111C | -CP |
| LD405 | 48T25534Y01 | LED,GRN BG1111C | -CP |
| LD406 | 48T25534Y01 | LED,GRN BG1111C | -CP |
| LD407 | 48T25534Y01 | LED,GRN BG1111C | -CP |
| LD408 | 48T25534Y01 | LED,GRN BG1111C | -CP |
| LD409 | 48T25534Y01 | LED,GRN BG1111C | -CP |
| LD410 | 48T25534Y01 | LED,GRN BG1111C | -CP |
| LD411 | 48T25534Y01 | LED,GRN BG1111C | -CP |
| LD412 | 48T25534Y01 | LED,GRN BG1111C | -CP |
| LD413 | 48T25534Y01 | LED,GRN BG1111C | -CP |
| LD414 | 48T25534Y01 | LED,GRN BG1111C | -CP |
| LD415 | 48T25534Y01 | LED,GRN BG1111C | -CP |
| LD416 | 48T25534Y01 | LED,GRN BG1111C | -CP |
| LD417 | 48T25534Y01 | LED,GRN BG1111C | -CP |
| LD418 | 48T25534Y01 | LED,GRN BG1111C | -CP |
| LD420 | 48T25534Y01 | LED,GRN BG1111C | -CP |
| LD421 | 48T25534Y01 | LED,GRN BG1111C | -CP |
| LD424 | 48T25534Y01 | LED,GRN BG1111C | -CP |
| LD425 | 48T25534Y01 | LED,GRN BG1111C | -CP |
| LD426 | 48T25534Y01 | LED,GRN BG1111C | -CP |
| LD427 | 48T25534Y01 | LED,GRN BG1111C | -CP |
| LD428 | 48T65285Y01 | LED,AMB FA1112C | -CP |
| LD429 | 48T65285Y01 | LED,AMB FA1112C | -CP |
| LD430 | 48T65285Y01 | LED,AMB FA1112C | -CP |
| LD431 | 48T65285Y01 | LED,AMB FA1112C | -CP |
| LD432 | 48T25534Y03 | LED,AMB AA1111C | -CP |
| LD433 | 48T25534Y03 | LED,AMB AA1111C | -CP |
| LD434 | 48T25534Y03 | LED,AMB AA1111C | -CP |
| LD435 | 48T25534Y03 | LED,AMB AA1111C | -CP |
| LD436 | 48T45280Y01 | LED,WHT NSCWS405T-E2 | |
| LD437 | 48T45280Y01 | LED,WHT NSCWS405T-E2 | |
| LD438 | 48T45280Y01 | LED,WHT NSCWS405T-E2 | |
| LD439 | 48T45280Y01 | LED,WHT NSCWS405T-E2 | |
| LD442 | 48T35306Y05 | LED,GRN DG1104B | -CP |
| Q401 | 48T64222F01 | TR ,UN2211 10-10 | -TX |
| Q402 | 48T64222F01 | TR ,UN2211 10-10 | -TX |
| Q403 | 48T64222F01 | TR ,UN2211 10-10 | -TX |
| Q404 | 48T63788F04 | TR ,CP.2SD1328-T | -TX |
| Q405 | 48T52438F04 | TR ,2SD601A-S /TX | -CP |
| Q406 | 48T63788F04 | TR ,CP.2SD1328-T | -TX |
| Q407 | 48T73023F01 | TR ,2SD874A | -E2 |
| Q408 | 48T63788F04 | TR ,CP.2SD1328-T | -TX |
| Q414 | 48T64222F02 | TR ,UN2212 22-22 | -TX |
| R400 | 06S70072F95 | RES,RK 123J 1/4 | -CP |
| R401 | 06S55363Y59 | RES,RK 561J 1/8 | -CP |
| R402 | 06S55363Y53 | RES,RK 331J 1/8 | -CP |
| R403 | 06S55363Y53 | RES,RK 331J 1/8 | -CP |
| R404 | 06S55363Y65 | RES,RK 102J 1/8 | -CP |
| R405 | 06S55363Y53 | RES,RK 331J 1/8 | -CP |

CDA-9830R

| | | | |
|------|-------------|-------------------|-----|
| R406 | 06S55363Y65 | RES,RK 102J 1/8 | -CP |
| R407 | 06S55363Y65 | RES,RK 102J 1/8 | -CP |
| R408 | 06S55361Y91 | RES,RK 123J 1/4 | -CP |
| R409 | 06S55361Y91 | RES,RK 123J 1/4 | -CP |
| R410 | 06S55361Y54 | RES,RK 361J 1/4 | -CP |
| R411 | 06S55361Y53 | RES,RK 331J 1/4 | -CP |
| R412 | 06S55361Y52 | RES,RK 301J 1/4 | -CP |
| R413 | 06S55361Y53 | RES,RK 331J 1/4 | -CP |
| R414 | 06S55361Y52 | RES,RK 301J 1/4 | -CP |
| R415 | 06S55361Y53 | RES,RK 331J 1/4 | -CP |
| R416 | 06S55361Y52 | RES,RK 301J 1/4 | -CP |
| R417 | 06S55361Y51 | RES,RK 271J 1/4 | -CP |
| R418 | 06S55361Y51 | RES,RK 271J 1/4 | -CP |
| R419 | 06S55361Y51 | RES,RK 271J 1/4 | -CP |
| R420 | 06S55361Y51 | RES,RK 271J 1/4 | -CP |
| R421 | 06S55361Y51 | RES,RK 271J 1/4 | -CP |
| R422 | 06S55361Y51 | RES,RK 271J 1/4 | -CP |
| R423 | 06S55361Y56 | RES,RK 431J 1/4 | -CP |
| R424 | 06S55361Y71 | RES,RK 182J 1/4 | -CP |
| R425 | 06S55361Y71 | RES,RK 182J 1/4 | -CP |
| R426 | 06S55361Y71 | RES,RK 182J 1/4 | -CP |
| R427 | 06S55361Y56 | RES,RK 431J 1/4 | -CP |
| R428 | 06S55361Y69 | RES,RK 152J 1/4 | -CP |
| R429 | 06S55361Y55 | RES,RK 391J 1/4 | -CP |
| R430 | 06S55361Y59 | RES,RK 561J 1/4 | -CP |
| R431 | 06S55361Y59 | RES,RK 561J 1/4 | -CP |
| R432 | 06S55365Y81 | RES,RK 472J 1/10 | -CP |
| R433 | 06S55365Y81 | RES,RK 472J 1/10 | -CP |
| R434 | 06S55365Y97 | RES,RK 223J 1/10 | -CP |
| R436 | 06S55362Y39 | RES,RK JUMPER 1/4 | -CP |
| R437 | 06S55362Y39 | RES,RK JUMPER 1/4 | -CP |
| R438 | 06S55365Y65 | RES,RK 102J 1/10 | -CP |
| R439 | 06S55366Y05 | RES,RK 433J 1/10 | -CP |
| R440 | 06S55365Y73 | RES,RK 222J 1/10 | -CP |
| R442 | 06S55362Y39 | RES,RK JUMPER 1/4 | -CP |
| R443 | 06S55366Y14 | RES,RK 104J 1/10 | -CP |
| R444 | 06S55365Y81 | RES,RK 472J 1/10 | -CP |
| R445 | 06S55365Y81 | RES,RK 472J 1/10 | -CP |
| R446 | 06S55363Y41 | RES,RK 101J 1/8 | -CP |
| R447 | 06S55365Y97 | RES,RK 223J 1/10 | -CP |
| R448 | 06S55365Y65 | RES,RK 102J 1/10 | -CP |
| R458 | 06S55361Y55 | RES,RK 391J 1/4 | -CP |
| R476 | 06S55361Y57 | RES,RK 471J 1/4 | -CP |
| R477 | 06S55365Y65 | RES,RK 102J 1/10 | -CP |
| R478 | 06S55365Y65 | RES,RK 102J 1/10 | -CP |
| R479 | 06S55365Y65 | RES,RK 102J 1/10 | -CP |
| R480 | 06S55365Y65 | RES,RK 102J 1/10 | -CP |
| R481 | 06S55365Y65 | RES,RK 102J 1/10 | -CP |
| R484 | 06S55365Y65 | RES,RK 102J 1/10 | -CP |
| R485 | 06S55365Y65 | RES,RK 102J 1/10 | -CP |
| R486 | 06S55365Y65 | RES,RK 102J 1/10 | -CP |
| R487 | 06S55365Y65 | RES,RK 102J 1/10 | -CP |
| R488 | 06S55365Y65 | RES,RK 102J 1/10 | -CP |
| R489 | 06S55365Y65 | RES,RK 102J 1/10 | -CP |
| R490 | 06S55365Y65 | RES,RK 102J 1/10 | -CP |
| R491 | 06S55365Y65 | RES,RK 102J 1/10 | -CP |
| R492 | 06S55365Y89 | RES,RK 103J 1/10 | -CP |

CDA-9830R

| | | |
|-------|-------------|---|
| R493 | 06S55365Y89 | RES,RK 103J 1/10 -CP |
| R494 | 06S55365Y89 | RES,RK 103J 1/10 -CP |
| R495 | 06S55365Y89 | RES,RK 103J 1/10 -CP |
| R496 | 06S55366Y39 | RES,RK JUMPER1/10-CP |
| SW400 | 40T65353Y01 | SW,TACT SKRSPACE010E2 (RESET) |
| SW401 | 40T65353Y01 | SW,TACT SKRSPACE010E2 (T.INFO) |
| SW402 | 40T65353Y01 | SW,TACT SKRSPACE010E2 (FWD/UP) |
| SW403 | 40T65353Y01 | SW,TACT SKRSPACE010E2 (PLAY/PAUSE/TUNE/A.ME) |
| SW404 | 40T65353Y01 | SW,TACT SKRSPACE010E2 (BWD/DN) |
| SW406 | 40T65353Y01 | SW,TACT SKRSPACE010E2 (SOURCE/POWER) |
| SW407 | 40T65353Y01 | SW,TACT SKRSPACE010E2 (BAND/TEL.) |
| SW408 | 40T65353Y01 | SW,TACT SKRSPACE010E2 (MUTE/B.OUT) |
| SW409 | 40T65353Y01 | SW,TACT SKRSPACE010E2 (TITLE) |
| SW410 | 40T65353Y01 | SW,TACT SKRSPACE010E2 (F) |
| SW411 | 40T65353Y01 | SW,TACT SKRSPACE010E2 (1/AF) |
| SW412 | 40T65353Y01 | SW,TACT SKRSPACE010E2 (2/P.PTY) |
| SW413 | 40T65353Y01 | SW,TACT SKRSPACE010E2 (3/PTY) |
| SW414 | 40T65353Y01 | SW,TACT SKRSPACE010E2 (4/REPEAT) |
| SW415 | 40T65353Y01 | SW,TACT SKRSPACE010E2 (5/M.I.X.) |
| SW416 | 40T65353Y01 | SW,TACT SKRSPACE010E2 (6/SCAN) |
| SW417 | 40T65353Y01 | SW,TACT SKRSPACE010E2 (TILT UP/DN) |
| SW418 | 40T65353Y01 | SW,TACT SKRSPACE010E2 (EJECT) |
| SW419 | 40T65353Y01 | SW,TACT SKRSPACE010E2 (MENU/i-Personalize) |
| SW420 | 40T65353Y01 | SW,TACT SKRSPACE010E2 (MX) |
| SW421 | 40T65353Y01 | SW,TACT SKRSPACE010E2 (FOLDER UP) |
| SW422 | 40T65353Y01 | SW,TACT SKRSPACE010E2 (FOLDER SEARCH/Q.S.) |
| SW423 | 40T65353Y01 | SW,TACT SKRSPACE010E2 (FOLDER DOWN) |
| ZD401 | 48T84735F21 | DIO,ZEN.MA3082-H -CP |
| ZD402 | 48T15541Y23 | DIO,ZEN MAZS180 -CP |
| ZD403 | 48T15541Y23 | DIO,ZEN MAZS180 -CP |

=====TUNER P.W.Board

| | | |
|-------|-------------|----------------------|
| C1001 | 08S65128F78 | CAP,CER.223K-B1H -CP |
| C1002 | 08S82122F25 | CAP,CER.33RJ-CH1H-CP |

CDA-9830R

| | | |
|-------|-------------|----------------------|
| C1003 | 08S45677W60 | CAP,CER 102J-CH1H-CP |
| C1004 | 08S45677W24 | CAP,CER 33RJ-CH1H-CP |
| C1005 | 08S45677W24 | CAP,CER 33RJ-CH1H-CP |
| C1006 | 08S45677W04 | CAP,CER.2R0C-CH1H-CP |
| C1007 | 08S45677W07 | CAP,CER.5R0C-CH1H-CP |
| C1009 | 08S45677W12 | CAP,CER.10RD-CH1H-CP |
| C1010 | 08S45676W73 | CAP,CER.103K-B1H -CP |
| C1011 | 08S45676W85 | CAP,CER 104K-B1C -CP |
| C1012 | 08S45676W69 | CAP,CER.472K-B1H -CP |
| C1013 | 08S45676W73 | CAP,CER.103K-B1H -CP |
| C1014 | 08S45677W60 | CAP,CER 102J-CH1H-CP |
| C1015 | 08S45677W32 | CAP,CER.68RJ-CH1H-CP |
| C1016 | 08S45677W36 | CAP,CER.101J-CH1H-CP |
| C1017 | 08S45676W73 | CAP,CER.103K-B1H -CP |
| C1018 | 08S45676W85 | CAP,CER 104K-B1C -CP |
| C1019 | 08S45676W85 | CAP,CER 104K-B1C -CP |
| C1020 | 08S45676W85 | CAP,CER 104K-B1C -CP |
| C1021 | 08S45676W80 | CAP,CER 223K-B1E -CP |
| C1022 | 08S45676W68 | CAP,CER.392K-B1H -CP |
| C1023 | 08S45677W38 | CAP,CER 121J-CH1H-CP |
| C1024 | 08S45676W73 | CAP,CER.103K-B1H -CP |
| C1025 | 08S45676W73 | CAP,CER.103K-B1H -CP |
| C1026 | 08S65674Y05 | CAP,CER 105KX5R1C-CP |
| C1027 | 08S45676W85 | CAP,CER 104K-B1C -CP |
| C1028 | 08S45676W85 | CAP,CER 104K-B1C -CP |
| C1029 | 08S65674Y05 | CAP,CER 105KX5R1C-CP |
| C1030 | 08S65674Y05 | CAP,CER 105KX5R1C-CP |
| C1031 | 08S45676W80 | CAP,CER 223K-B1E -CP |
| C1032 | 08S45677W32 | CAP,CER.68RJ-CH1H-CP |
| C1033 | 08S45676W73 | CAP,CER.103K-B1H -CP |
| C1034 | 08S45676W85 | CAP,CER 104K-B1C -CP |
| C1035 | 08S45677W02 | CAP,CER 1R0C-CH1H-CP |
| C1036 | 08S45677W20 | CAP,CER.22RJ-CH1H-CP |
| C1037 | 08S45677W16 | CAP,CER.15RJ-CH1H-CP |
| C1038 | 08S45676W85 | CAP,CER 104K-B1C -CP |
| C1039 | 08S45676W85 | CAP,CER 104K-B1C -CP |
| C1040 | 08S45676W73 | CAP,CER.103K-B1H -CP |
| C1041 | 08S45676W65 | CAP,CER.222K-B1H -CP |
| C1042 | 08S45677W60 | CAP,CER 102J-CH1H-CP |
| C1043 | 08S45676W73 | CAP,CER.103K-B1H -CP |
| C1044 | 08S45676W80 | CAP,CER 223K-B1E -CP |
| C1045 | 08S45676W80 | CAP,CER 223K-B1E -CP |
| C1046 | 08S45676W80 | CAP,CER 223K-B1E -CP |
| C1047 | 08S45677W05 | CAP,CER.3R0C-CH1H-CP |
| C1048 | 08S45677W12 | CAP,CER.10RD-CH1H-CP |
| C1049 | 08S45677W12 | CAP,CER.10RD-CH1H-CP |
| C1050 | 08S45676W73 | CAP,CER.103K-B1H -CP |
| C1051 | 08S45676W73 | CAP,CER.103K-B1H -CP |
| C1052 | 08S45677W12 | CAP,CER.10RD-CH1H-CP |
| C1053 | 08S45676W73 | CAP,CER.103K-B1H -CP |
| C1054 | 08S45676W73 | CAP,CER.103K-B1H -CP |
| C1055 | 08S45677W36 | CAP,CER.101J-CH1H-CP |
| C1056 | 08S45676W80 | CAP,CER 223K-B1E -CP |
| C1057 | 08S45676W73 | CAP,CER.103K-B1H -CP |
| C1058 | 08S65674Y05 | CAP,CER 105KX5R1C-CP |
| C1060 | 08S65669Y02 | CAP,CER 474KX7R1E-CP |
| C1061 | 08S65669Y02 | CAP,CER 474KX7R1E-CP |

CDA-9830R

| | | |
|---------|-------------|----------------------|
| C1201 | 08S45676W75 | CAP,CER.153K-B1H -CP |
| C1205 | 08S45676W85 | CAP,CER 104K-B1C -CP |
| C1206 | 08S45677W60 | CAP,CER 102J-CH1H-CP |
| C1211 | 08S45677W36 | CAP,CER.101J-CH1H-CP |
| C1214 | 08S45676W73 | CAP,CER.103K-B1H -CP |
| C1216 | 08S65667Y04 | CAP,CER 684KX5R1A-CP |
| C1217 | 08S45676W73 | CAP,CER.103K-B1H -CP |
| C1218 | 08S45676W73 | CAP,CER.103K-B1H -CP |
| C1219 | 08S45676W85 | CAP,CER 104K-B1C -CP |
| C1220 | 08S45677W60 | CAP,CER 102J-CH1H-CP |
| C1221 | 08S45676W85 | CAP,CER 104K-B1C -CP |
| C1222 | 08S45676W85 | CAP,CER 104K-B1C -CP |
| C1223 | 08S45676W85 | CAP,CER 104K-B1C -CP |
| C1224 | 08S45676W85 | CAP,CER 104K-B1C -CP |
| C1225 | 08S45676W85 | CAP,CER 104K-B1C -CP |
| CB1001 | 09T65422W17 | PIN,IMSA6029B-17Z-DB |
| CB1002 | 09T03499K32 | BTB,53309-3291 -E9 |
| CF1001 | 91T35405W02 | CERFIL,SFELA10M7 -DB |
| CF1002 | 91T35405W02 | CERFIL,SFELA10M7 -DB |
| CF1003 | 91T35405W02 | CERFIL,SFELA10M7 -DB |
| D1002 | 48T65157W01 | DIO,VAR KV1410 -XX |
| D1003 | 48T65157W01 | DIO,VAR KV1410 -XX |
| D1004 | 48T65157W01 | DIO,VAR KV1410 -XX |
| D1005 | 48T68806F01 | DIO,1SV172/L -CP |
| D1013 | 48T68806F01 | DIO,1SV172/L -CP |
| E1006 | 23S55039Y02 | CAP,ELY 10R-1C -R2 |
| E1007 | 23S65134W31 | CAP,ELY 10R-1C(4)-E2 |
| E1008 | 23S65134W31 | CAP,ELY 10R-1C(4)-E2 |
| E1011 | 23S55039Y02 | CAP,ELY 10R-1C -R2 |
| E1012 | 23S45639Y08 | CAP,ELY 22R-1C -R2 |
| E1014 | 23S65134W31 | CAP,ELY 10R-1C(4)-E2 |
| E1015 | 23S65134W31 | CAP,ELY 10R-1C(4)-E2 |
| E1201 | 23S45639Y08 | CAP,ELY 22R-1C -R2 |
| E1204 | 23S65134W31 | CAP,ELY 10R-1C(4)-E2 |
| E1205 | 23S65134W31 | CAP,ELY 10R-1C(4)-E2 |
| IC1001 | 51T65382Y01 | TDA7518 -QT |
| IC1002 | 51T93333F01 | NJM2904M-TE3 -SE2 |
| IFT1001 | 24T45563Y01 | COIL,IFT1 F/A 5PG-DB |
| IFT1002 | 24T45563Y02 | COIL,IFT2 AM 5PG -DB |
| L1001 | 91T15509Y08 | EMI,BK1608HM102 -CP |
| L1002 | 91T15509Y08 | EMI,BK1608HM102 -CP |
| L1005 | 91T15509Y08 | EMI,BK1608HM102 -CP |
| L1006 | 24T65176W37 | IND,NL453232 102J-E2 |
| L1007 | 24T25164Y35 | IND,FSLM2520 68RJ-CP |
| L1010 | 24T65176W37 | IND,NL453232 102J-E2 |
| L1013 | 91T15509Y08 | EMI,BK1608HM102 -CP |
| L1014 | 91T15509Y08 | EMI,BK1608HM102 -CP |
| L1017 | 91T15509Y08 | EMI,BK1608HM102 -CP |
| L1018 | 91T15509Y08 | EMI,BK1608HM102 -CP |
| L1019 | 24T25164Y11 | IND,FSLM2520 R68J-CP |
| L1020 | 24T25164Y17 | IND,FSLM2520 2R2J-CP |
| L1021 | 24T25164Y12 | IND,FSLM2520 R82J-CP |
| Q1003 | 48T16465W01 | FET,CP.3SK195-Y-R |
| Q1004 | 48T15606Y01 | FET,FC18-TL -CP |
| R1004 | 06S55365Y25 | RES,RK 22RJ 1/10 -CP |
| R1005 | 06S55365Y25 | RES,RK 22RJ 1/10 -CP |
| R1007 | 06S55365Y73 | RES,RK 222J 1/10 -CP |

| | | |
|--------|-------------|----------------------|
| R1008 | 06S55365Y65 | RES,RK 102J 1/10 -CP |
| R1009 | 06S55365Y73 | RES,RK 222J 1/10 -CP |
| R1010 | 06S55366Y38 | RES,RK 105J 1/10 -CP |
| R1011 | 06S55365Y81 | RES,RK 472J 1/10 -CP |
| R1012 | 06S55365Y17 | RES,RK 10RJ 1/10 -CP |
| R1013 | 06S55366Y14 | RES,RK 104J 1/10 -CP |
| R1015 | 06S55365Y97 | RES,RK 223J 1/10 -CP |
| R1016 | 06S55365Y89 | RES,RK 103J 1/10 -CP |
| R1017 | 06S55365Y41 | RES,RK 101J 1/10 -CP |
| R1018 | 06S55366Y08 | RES,RK 563J 1/10 -CP |
| R1019 | 06S55365Y81 | RES,RK 472J 1/10 -CP |
| R1020 | 06S55366Y14 | RES,RK 104J 1/10 -CP |
| R1023 | 06S55365Y83 | RES,RK 562J 1/10 -CP |
| R1024 | 06S55365Y61 | RES,RK 681J 1/10 -CP |
| R1028 | 06S55366Y14 | RES,RK 104J 1/10 -CP |
| R1029 | 06S55366Y08 | RES,RK 563J 1/10 -CP |
| R1030 | 06S55365Y83 | RES,RK 562J 1/10 -CP |
| R1034 | 06S55365Y17 | RES,RK 10RJ 1/10 -CP |
| R1037 | 06S55366Y08 | RES,RK 563J 1/10 -CP |
| R1038 | 06S55365Y17 | RES,RK 10RJ 1/10 -CP |
| R1043 | 06S55365Y09 | RES,RK 4R7J 1/10 -CP |
| R1044 | 06S55365Y09 | RES,RK 4R7J 1/10 -CP |
| R1045 | 06S55365Y17 | RES,RK 10RJ 1/10 -CP |
| R1050 | 06S55365Y91 | RES,RK 123J 1/10 -CP |
| R1211 | 06S55365Y73 | RES,RK 222J 1/10 -CP |
| R1215 | 06S55361Y66 | RES,RK 112J 1/4 -CP |
| R1216 | 06S55361Y66 | RES,RK 112J 1/4 -CP |
| R1218 | 06S55365Y66 | RES,RK 112J 1/10 -CP |
| VT1001 | 24T45428Y04 | COIL,ANT1 FM 5KR -DB |
| VT1002 | 24T45429Y04 | COIL,RF FM 5KR -DB |
| VT1003 | 24T45427Y03 | COIL,OSC F/A 5KR -DB |
| XL1001 | 91T45560Y01 | XTL,HC-49 10.25M -R5 |
| XL1002 | 91T15651Y02 | CERFIL,CFWLA450K -DB |

=====DC-DC P.W.Board

| | | |
|-------|-------------|----------------------|
| C901 | 08S65671Y01 | CAP,CER 226KX5R1A-CP |
| C902 | 08S65671Y01 | CAP,CER 226KX5R1A-CP |
| C903 | 08S65676Y05 | CAP,CER 105KX7R1E-CP |
| C904 | 08S65671Y01 | CAP,CER 226KX5R1A-CP |
| C905 | 08S65676Y05 | CAP,CER 105KX7R1E-CP |
| CH803 | 09-00888Z01 | ASSY,WIRE DC-DC 31A |
| E901 | 23T95564W09 | CAP,FC 22R-1C-C -E3 |
| E902 | 23T95564W09 | CAP,FC 22R-1C-C -E3 |
| E903 | 23T95564W09 | CAP,FC 22R-1C-C -E3 |
| E904 | 23S75373W06 | CAP,ELY 101-1C -R2 |
| IC901 | 51T65166Y01 | MAX829EUK -CP |
| L901 | 24T16271W21 | IND,RCR-875D 102K + |
| L902 | 24T16271W21 | IND,RCR-875D 102K + |
| SD901 | 48T95294W01 | DIO,SHT MA740-TX -CP |

=====DP-S MAIN P.W.Board

| | | |
|------|-------------|----------------------|
| C101 | 08S45676W73 | CAP,CER.103K-B1H -CP |
| C102 | 08S45676W73 | CAP,CER.103K-B1H -CP |
| C103 | 08S45676W73 | CAP,CER.103K-B1H -CP |
| C104 | 08S45676W73 | CAP,CER.103K-B1H -CP |
| C105 | 08S45676W73 | CAP,CER.103K-B1H -CP |

CDA-9830R

| | | |
|------|-------------|----------------------|
| C106 | 08S45676W73 | CAP,CER.103K-B1H -CP |
| C107 | 08S45676W73 | CAP,CER.103K-B1H -CP |
| C108 | 08S45676W73 | CAP,CER.103K-B1H -CP |
| C109 | 08S45676W73 | CAP,CER.103K-B1H -CP |
| C110 | 08S45676W73 | CAP,CER.103K-B1H -CP |
| C112 | 08S45676W73 | CAP,CER.103K-B1H -CP |
| C113 | 08S45676W73 | CAP,CER.103K-B1H -CP |
| C116 | 08S45677W12 | CAP,CER.10RD-CH1H-CP |
| C118 | 08S45676W73 | CAP,CER.103K-B1H -CP |
| C120 | 08S45676W73 | CAP,CER.103K-B1H -CP |
| C121 | 08S45676W85 | CAP,CER 104K-B1C -CP |
| C122 | 08S45676W85 | CAP,CER 104K-B1C -CP |
| C123 | 08S45676W73 | CAP,CER.103K-B1H -CP |
| C124 | 08S45676W73 | CAP,CER.103K-B1H -CP |
| C125 | 08S45676W73 | CAP,CER.103K-B1H -CP |
| C126 | 08S45677W12 | CAP,CER.10RD-CH1H-CP |
| C133 | 08S45676W73 | CAP,CER.103K-B1H -CP |
| C134 | 08S45676W68 | CAP,CER.392K-B1H -CP |
| C135 | 08S45676W73 | CAP,CER.103K-B1H -CP |
| C201 | 08S45676W66 | CAP,CER.272K-B1H -CP |
| C202 | 08S45676W66 | CAP,CER.272K-B1H -CP |
| C203 | 08S45676W93 | CAP,CER 224K-B1A -CP |
| C204 | 08S45676W85 | CAP,CER 104K-B1C -CP |
| C206 | 08S45677W46 | CAP,CER 271J-CH1H-CP |
| C207 | 08S45676W70 | CAP,CER 562K-B1H -CP |
| C208 | 08S45676W85 | CAP,CER 104K-B1C -CP |
| C210 | 08S45676W85 | CAP,CER 104K-B1C -CP |
| C211 | 08S45676W93 | CAP,CER 224K-B1A -CP |
| C212 | 08S45676W73 | CAP,CER.103K-B1H -CP |
| C213 | 08S45676W85 | CAP,CER 104K-B1C -CP |
| C214 | 08S45676W85 | CAP,CER 104K-B1C -CP |
| C215 | 08S45676W85 | CAP,CER 104K-B1C -CP |
| C216 | 08S45677W60 | CAP,CER 102J-CH1H-CP |
| C401 | 08S45676W85 | CAP,CER 104K-B1C -CP |
| C402 | 08S45676W85 | CAP,CER 104K-B1C -CP |
| C403 | 08S45677W38 | CAP,CER 121J-CH1H-CP |
| C404 | 08S45677W34 | CAP,CER.82RJ-CH1H-CP |
| C406 | 08S45676W67 | CAP,CER.332K-B1H -CP |
| C407 | 08S45676W73 | CAP,CER.103K-B1H -CP |
| C408 | 08S45676W85 | CAP,CER 104K-B1C -CP |
| C409 | 08S45676W85 | CAP,CER 104K-B1C -CP |
| C410 | 08S45676W73 | CAP,CER.103K-B1H -CP |
| C412 | 08S45676W85 | CAP,CER 104K-B1C -CP |
| C413 | 08S35350Y05 | CAP,CER 105K-B1A -CP |
| C414 | 08S45676W86 | CAP,CER 273K-B1E -CP |
| C415 | 08S45676W72 | CAP,CER 822K-B1H -CP |
| C418 | 08S45677W54 | CAP,CER 561J-CH1H-CP |
| C419 | 08S45676W86 | CAP,CER 273K-B1E -CP |
| C420 | 08S45676W73 | CAP,CER.103K-B1H -CP |
| C421 | 08S45677W01 | CAP,CER 0R5C-CH1H-CP |
| C422 | 08S45677W01 | CAP,CER 0R5C-CH1H-CP |
| C423 | 08S45677W01 | CAP,CER 0R5C-CH1H-CP |
| C424 | 08S45677W01 | CAP,CER 0R5C-CH1H-CP |
| C425 | 08S45677W34 | CAP,CER.82RJ-CH1H-CP |
| C427 | 08S45676W85 | CAP,CER 104K-B1C -CP |
| C501 | 08S35350Y05 | CAP,CER 105K-B1A -CP |
| C502 | 08S35350Y05 | CAP,CER 105K-B1A -CP |

CDA-9830R

| | | |
|-------|-------------|----------------------|
| C503 | 08S45677W60 | CAP,CER 102J-CH1H-CP |
| C504 | 08S45677W60 | CAP,CER 102J-CH1H-CP |
| C505 | 08S45677W60 | CAP,CER 102J-CH1H-CP |
| C506 | 08S45677W60 | CAP,CER 102J-CH1H-CP |
| C510 | 08S45676W85 | CAP,CER 104K-B1C -CP |
| C551 | 08S45676W85 | CAP,CER 104K-B1C -CP |
| C552 | 08S45676W85 | CAP,CER 104K-B1C -CP |
| C601 | 08S45676W80 | CAP,CER 223K-B1E -CP |
| C602 | 08S45677W44 | CAP,CER.221J-CH1H-CP |
| C603 | 08S45677W44 | CAP,CER.221J-CH1H-CP |
| CB101 | 09T45435W22 | FFC,52207-2290 -EQ |
| CB102 | 09T45435W15 | FFC,52207-1590 -ED |
| CB103 | 09T45435W07 | FFC,52207-0790 -E9 |
| CB104 | 09T35236Y22 | BTB,IMSA9851S-22Y-EQ |
| D601 | 48T81063F01 | DIO,CP.MA159 / TX-CP |
| E101 | 23T65680Y09 | CAP,UD 101-0J -E2 |
| E102 | 23T65680Y09 | CAP,UD 101-0J -E2 |
| E104 | 23T45152Y04 | CAP,RA 10R-1C -E5 |
| E105 | 23T45152Y04 | CAP,RA 10R-1C -E5 |
| E106 | 23T45152Y04 | CAP,RA 10R-1C -E5 |
| E401 | 23S55311W35 | CAP,TAN 10R-1C-B -CP |
| E402 | 23S55311W35 | CAP,TAN 10R-1C-B -CP |
| E403 | 23T45152Y02 | CAP,RA 47R-05 -E5 |
| E405 | 08S65671Y01 | CAP,CER 226KX5R1A-CP |
| E501 | 23T45152Y03 | CAP,RA 22R-OJ -E5 |
| E502 | 23T45152Y03 | CAP,RA 22R-OJ -E5 |
| E504 | 23T45152Y04 | CAP,RA 10R-1C -E5 |
| E505 | 23T45152Y03 | CAP,RA 22R-OJ -E5 |
| E551 | 23T45152Y03 | CAP,RA 22R-OJ -E5 |
| E601 | 23T45152Y04 | CAP,RA 10R-1C -E5 |
| IC101 | 51T65495Y01 | TMS320DA150PGE160-QT |
| IC103 | 51T65581Y01 | MBM29DL800BA-90 -ST |
| IC104 | 51T65586Y01 | TC74VHC139FT -SE5 |
| IC107 | 51T35445Y01 | TC7WHU04FU-TE12L-SE1 |
| IC108 | 51T55184Y04 | TAR5S16-TE85L -CP |
| IC109 | 51T65074Y13 | S-80927CLMC-T2 -CP |
| IC110 | 51T35316Y01 | TC7S14FU-TE85L -CP |
| IC201 | 51T55223Y02 | MN6627482WB -QT |
| IC401 | 51T45331Y01 | AN22000A-E1 -SE9 |
| IC501 | 51T16025W01 | IC,NJM2100M-TE3-SE03 |
| IC503 | 51T35410Y01 | S-817A33ANB-T2 -CP |
| IC504 | 51T11054W02 | NJM78L05UA-TE1 -NE2 |
| IC601 | 51T55093Y01 | BA5984FP-E2 -SEA |
| L102 | 24T25164Y21 | IND,FSLM2520 4R7J-CP |
| L104 | 24T25164Y21 | IND,FSLM2520 4R7J-CP |
| Q401 | 48T55462Y01 | TR,2SB1132-QR-100-E2 |
| R101 | 06S45674W97 | RES,RK 473J 1/10 -CP |
| R102 | 06S45674W97 | RES,RK 473J 1/10 -CP |
| R103 | 06S45674W97 | RES,RK 473J 1/10 -CP |
| R104 | 06S45674W97 | RES,RK 473J 1/10 -CP |
| R105 | 06S45674W97 | RES,RK 473J 1/10 -CP |
| R106 | 06S45674W97 | RES,RK 473J 1/10 -CP |
| R107 | 06S45674W97 | RES,RK 473J 1/10 -CP |
| R108 | 06S45674W97 | RES,RK 473J 1/10 -CP |
| R109 | 06S45674W97 | RES,RK 473J 1/10 -CP |
| R110 | 06S45674W97 | RES,RK 473J 1/10 -CP |
| R113 | 06S45674W97 | RES,RK 473J 1/10 -CP |

| | | |
|------|-------------|----------------------|
| R114 | 06S45674W97 | RES,RK 473J 1/10 -CP |
| R115 | 06S45674W97 | RES,RK 473J 1/10 -CP |
| R116 | 06S45674W33 | RES,RK 101J 1/10 -CP |
| R119 | 06S45675W06 | RES,RK 104J 1/10 -CP |
| R121 | 06S45674W89 | RES,RK 223J 1/10 -CP |
| R122 | 06S45674W89 | RES,RK 223J 1/10 -CP |
| R124 | 06S45674W97 | RES,RK 473J 1/10 -CP |
| R125 | 06S45674W97 | RES,RK 473J 1/10 -CP |
| R126 | 06S45674W97 | RES,RK 473J 1/10 -CP |
| R127 | 06S45674W97 | RES,RK 473J 1/10 -CP |
| R129 | 06S45674W41 | RES,RK 221J 1/10 -CP |
| R130 | 06S45675W43 | RES,RK JUMPER1/10-CP |
| R135 | 06S45675W43 | RES,RK JUMPER1/10-CP |
| R137 | 06S45674W21 | RES,RK 33RJ 1/10 -CP |
| R138 | 06S45675W30 | RES,RK 105J 1/10 -CP |
| R140 | 06S45674W21 | RES,RK 33RJ 1/10 -CP |
| R141 | 06S45674W33 | RES,RK 101J 1/10 -CP |
| R142 | 06S45675W43 | RES,RK JUMPER1/10-CP |
| R143 | 06S45675W43 | RES,RK JUMPER1/10-CP |
| R144 | 06S45675W43 | RES,RK JUMPER1/10-CP |
| R145 | 06S45675W43 | RES,RK JUMPER1/10-CP |
| R146 | 06S45674W33 | RES,RK 101J 1/10 -CP |
| R147 | 06S45674W33 | RES,RK 101J 1/10 -CP |
| R148 | 06S45674W33 | RES,RK 101J 1/10 -CP |
| R151 | 06S45674W33 | RES,RK 101J 1/10 -CP |
| R152 | 06S45674W33 | RES,RK 101J 1/10 -CP |
| R201 | 06S45674W97 | RES,RK 473J 1/10 -CP |
| R202 | 06S45675W43 | RES,RK JUMPER1/10-CP |
| R204 | 06S45675W14 | RES,RK 224J 1/10 -CP |
| R207 | 06S45675W43 | RES,RK JUMPER1/10-CP |
| R208 | 06S45674W41 | RES,RK 221J 1/10 -CP |
| R209 | 06S45675W04 | RES,RK 823J 1/10 -CP |
| R210 | 06S45675W06 | RES,RK 104J 1/10 -CP |
| R213 | 06S45674W97 | RES,RK 473J 1/10 -CP |
| R214 | 06S45674W97 | RES,RK 473J 1/10 -CP |
| R218 | 06S45675W43 | RES,RK JUMPER1/10-CP |
| R219 | 06S45675W43 | RES,RK JUMPER1/10-CP |
| R401 | 06S45674W82 | RES,RK 113J 1/10 -CP |
| R402 | 06S45675W43 | RES,RK JUMPER1/10-CP |
| R403 | 06S45675W43 | RES,RK JUMPER1/10-CP |
| R404 | 06S45674W82 | RES,RK 113J 1/10 -CP |
| R405 | 06S55366Y23 | RES,RK 244J 1/10 -CP |
| R406 | 06S45675W14 | RES,RK 224J 1/10 -CP |
| R407 | 06S45674W95 | RES,RK 393J 1/10 -CP |
| R408 | 06S55366Y08 | RES,RK 563J 1/10 -CP |
| R409 | 06S45675W43 | RES,RK JUMPER1/10-CP |
| R410 | 06S45674W81 | RES,RK 103J 1/10 -CP |
| R414 | 06S45674W89 | RES,RK 223J 1/10 -CP |
| R415 | 06S45674W81 | RES,RK 103J 1/10 -CP |
| R417 | 06S45675W43 | RES,RK JUMPER1/10-CP |
| R418 | 06S70072F90 | RES,CP .1R0-J-1/4-CP |
| R419 | 06S45674W71 | RES,RK 392J 1/10 -CP |
| R420 | 06S45674W77 | RES,RK 682J 1/10 -CP |
| R421 | 06S45674W65 | RES,RK 222J 1/10 -CP |
| R422 | 06S45674W55 | RES,RK 821J 1/10 -CP |
| R428 | 06S45674W65 | RES,RK 222J 1/10 -CP |
| R430 | 06S45674W55 | RES,RK 821J 1/10 -CP |

| | | |
|-------|-------------|----------------------|
| R435 | 06S45674W89 | RES,RK 223J 1/10 -CP |
| R501 | 06S55365Y96 | RES,RK 203J 1/10 -CP |
| R502 | 06S55365Y96 | RES,RK 203J 1/10 -CP |
| R503 | 06S55365Y97 | RES,RK 223J 1/10 -CP |
| R504 | 06S55365Y97 | RES,RK 223J 1/10 -CP |
| R505 | 06S55365Y79 | RES,RK 392J 1/10 -CP |
| R506 | 06S55365Y79 | RES,RK 392J 1/10 -CP |
| R507 | 06S55365Y79 | RES,RK 392J 1/10 -CP |
| R508 | 06S55365Y79 | RES,RK 392J 1/10 -CP |
| R509 | 06S55366Y14 | RES,RK 104J 1/10 -CP |
| R510 | 06S55366Y14 | RES,RK 104J 1/10 -CP |
| R511 | 06S55365Y89 | RES,RK 103J 1/10 -CP |
| R512 | 06S55365Y89 | RES,RK 103J 1/10 -CP |
| R513 | 06S55365Y89 | RES,RK 103J 1/10 -CP |
| R514 | 06S55365Y89 | RES,RK 103J 1/10 -CP |
| R515 | 06S55365Y49 | RES,RK 221J 1/10 -CP |
| R516 | 06S55365Y49 | RES,RK 221J 1/10 -CP |
| R517 | 06S55365Y93 | RES,RK 153J 1/10 -CP |
| R518 | 06S55365Y93 | RES,RK 153J 1/10 -CP |
| R519 | 06S55365Y89 | RES,RK 103J 1/10 -CP |
| R520 | 06S55365Y89 | RES,RK 103J 1/10 -CP |
| R550 | 06S45674W13 | RES,RK 15RJ 1/10 -CP |
| R551 | 06S45674W13 | RES,RK 15RJ 1/10 -CP |
| R603 | 06S45674W89 | RES,RK 223J 1/10 -CP |
| R604 | 06S45674W89 | RES,RK 223J 1/10 -CP |
| R605 | 06S45674W81 | RES,RK 103J 1/10 -CP |
| R606 | 06S45674W81 | RES,RK 103J 1/10 -CP |
| R607 | 06S45675W43 | RES,RK JUMPER1/10-CP |
| R608 | 06S45674W89 | RES,RK 223J 1/10 -CP |
| R609 | 06S45674W73 | RES,RK 472J 1/10 -CP |
| R610 | 06S45674W33 | RES,RK 101J 1/10 -CP |
| R611 | 06S45674W93 | RES,RK 333J 1/10 -CP |
| R612 | 06S45674W85 | RES,RK 153J 1/10 -CP |
| R613 | 06S45674W33 | RES,RK 101J 1/10 -CP |
| R616 | 06S45675W43 | RES,RK JUMPER1/10-CP |
| R617 | 06S45674W97 | RES,RK 473J 1/10 -CP |
| R618 | 06S45674W33 | RES,RK 101J 1/10 -CP |
| R619 | 06S45674W89 | RES,RK 223J 1/10 -CP |
| R620 | 06S45674W33 | RES,RK 101J 1/10 -CP |
| R621 | 06S45675W43 | RES,RK JUMPER1/10-CP |
| R622 | 06S45675W22 | RES,RK 474J 1/10 -CP |
| RA101 | 06S45591W02 | RES,ARY MNR473J 4-CP |
| RA102 | 06S45591W02 | RES,ARY MNR473J 4-CP |
| RA103 | 06S45591W02 | RES,ARY MNR473J 4-CP |
| RA104 | 06S45591W07 | RES,ARY MNR101J 4-CP |
| RA105 | 06S45591W07 | RES,ARY MNR101J 4-CP |
| RA106 | 06S45591W07 | RES,ARY MNR101J 4-CP |
| RA107 | 06S45591W07 | RES,ARY MNR101J 4-CP |
| RA108 | 06S45591W07 | RES,ARY MNR101J 4-CP |
| RA109 | 06S45591W07 | RES,ARY MNR101J 4-CP |
| RA110 | 06S45591W07 | RES,ARY MNR101J 4-CP |
| RA111 | 06S45591W07 | RES,ARY MNR101J 4-CP |
| RA112 | 06S45591W07 | RES,ARY MNR101J 4-CP |
| RA113 | 06S45591W07 | RES,ARY MNR101J 4-CP |
| RA115 | 06S45591W07 | RES,ARY MNR101J 4-CP |
| RA116 | 06S45591W07 | RES,ARY MNR101J 4-CP |
| RA117 | 06S45591W07 | RES,ARY MNR101J 4-CP |

| | | |
|--------------------|-------------|--|
| RA201 | 06S45591W07 | RES,ARY MNR101J 4-CP |
| RA202 | 06S45591W07 | RES,ARY MNR101J 4-CP |
| RA203 | 06S45591W07 | RES,ARY MNR101J 4-CP |
| XL102 | 91T35227Y01 | XTL,CS10 16.9344M-E2 |
| =====Miscellaneous | | |
| ANT001 | 01T03151K05 | ASSY,ANTCABLE ISO35R |
| CB801 | 09T35343Y16 | WTB,IMSA9451B-16 -DB |
| CH401 | 09T03493K15 | BTB,55323-1511 -B |
| CH511 | 01T02295K03 | ASSY,UNIZON CONN 93R |
| CH701 | 01T75363Y02 | ASSY,AMP LINK 9831A |
| CH831 | 01T25413Y01 | ASSY,CONN 2P |
| DIN801 | 09T55071W11 | CON,TCP9389-11 -DT |
| JK201 | 01T02234K03 | ASSY,CONN NLT1661 (F/R) |
| JK601 | 09T03156K01 | JAC,CK-3.5-14 -DB |
| LCD401 | 65T65153Y10 | LCD,WTD-22158AAHU-CU |
| M802 | 59T03808K01 | MOTOR,DF251R-12LC-07 (FAN MOTOR/12V-60mA) |
| M831 | 59T65085W01 | MOTOR,LOAD FF-050SK (NOSE MOTOR/7V-370mA) |
| RCA201 | 01T35497Y38 | ASSY,WIRE RCA 9831R (SUB-W) |
| SW201 | 40T45282W02 | SW,SLIDE SLD-42-508X (Ai-NET(EQ/DIV)/NORM) |
| SW405 | 40T55277Y04 | ENC,EC11E1544509 -B (ROTARY ENCODER/MODE) |
| SW602 | 40T15494Y08 | SW,DETCT SPVG11 -E6 (NOSE OPEN DET) |
| SW603 | 40T15494Y07 | SW,DETCT SPVG21 -E6 (NOSE CLOSE DET) |
| =====DP23S27R | | |
| HD101 | 81B60955Y01 | PICKUP,EP21A68L |
| M101 | 01V56100Y14 | ASSY,MOTOR WORM 2BO (3.5V-80mA) |
| M102 | 01V56100Y12 | ASSY,MOTOR SLED 2BO (3.5V-80mA) |
| M103 | 01V56100Y11 | ASSY,MTR SPINDOL 2BO (3V-90mA) |
| SW1 | 40T15494Y01 | SW,DETCT SPVG23 -E6 (12cm DISC DETECT (EJECT POSITION/RELOAD)) |
| SW2 | 40T15494Y02 | SW,DETCT SPVG13 -E6 (8/12cm DISC DETECT (INSERT/PULL OUT)) |
| SW3 | 40T15494Y07 | SW,DETCT SPVG21 -E6 (8cm DISC DETECT (EJECT POSITION/RELOAD)) |
| SW4 | 40T15494Y01 | SW,DETCT SPVG23 -E6 (DISC CHUCKING END DETECT) |
| SW105 | 40T71025F03 | SW,DETCT SPPB120 (LIMIT) |